

Hardware Manual Indel motion boards



Made in Switzerland

Rev 1.31 © Indel AG, 04/11/2013

Language: English

Table of contents

1	Description	4
1.1	Position controller.....	4
1.2	Assembly groups.....	5
2	Safety notes	6
2.1	General safety notes.....	6
2.2	Safety requirements.....	7
2.2.1	Risk analysis.....	7
2.2.2	24V DC power supply.....	8
2.2.3	48V DC power supply (motor supply).....	8
2.2.4	EMV.....	8
2.2.5	Commissioning.....	8
2.2.6	Intended use.....	8
2.2.7	Plug-in connections.....	9
2.2.8	Responsibility.....	9
3	Technical details	10
3.1	Technical details for motion boards.....	10
3.2	Technical details for connector boards.....	17
3.2.1	MAX-DBIT.....	17
3.2.2	MAX-DBMT.....	18
3.3	Dimensions, pin assignment.....	19
3.3.1	Dimensions of AX4.....	19
3.3.2	Pin arrangement for AX4 board.....	20
3.3.3	Pin assignment for digital inputs and outputs in AX4.....	21
3.3.4	Pin assignment for supplies and interfaces in AX4.....	22
3.3.5	Pin assignment for AX4 encoder systems.....	23
3.3.6	Pin assignment for motors in AX4.....	26
3.3.7	Dimensions of MAX boards.....	28
3.3.8	Pin assignment for MAX-2,4.....	35
3.3.9	Pin assignment for MAX-2.....	36
3.3.10	Pin assignment for MAX-4.....	37
3.3.11	Supplies to MAX boards.....	38
4	Serial interface	39
5	Connection examples.....	40
5.1	Motors on MAX2 board.....	40
5.2	Wiring of digital inputs and outputs.....	42
6	Installation.....	43
6.1	Cooling and ventilation.....	44
6.1.1	Notes on UL directive.....	45
6.1.2	Braking resistance.....	45
7	Operation	46

7.1	Braking resistor.....	46
7.2	Motion boards with an ethernet interface.....	46
8	Fieldbus systems.....	47
8.1	GinLink	47
8.2	INFO-Link.....	48
8.3	Error messages	49
8.4	Warnings.....	49
9	Sales and service.....	50
9.1	Manufacturer	50
9.2	Maintenance, cleaning, repair.....	50
9.3	Transport and storage.....	50
9.4	Disposal.....	50
9.5	Declaration of conformity.....	51
10	List of figures.....	53
11	Document status.....	54

1 Description

MAX boards offer extremely flexible possibilities for motor control. There are various versions with 2 ... 10 motor output stages, PWM outputs, encoder, resolver, SinCos inputs, etc. available.

The units feature various analogue and digital inputs and outputs alongside the motor output stages. The MAX boards are capable of controlling entire machines.

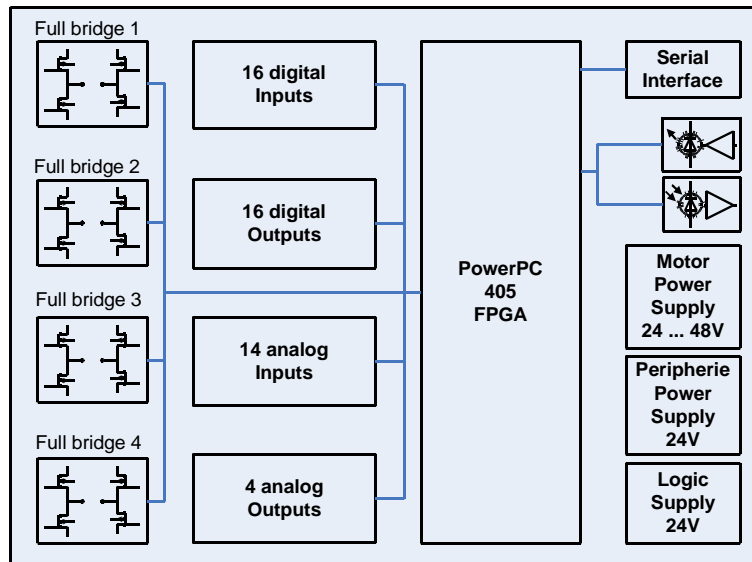


Figure 1.1: Block wiring diagram, MAX4 motion board

1.1 Position controller

PID controller

The user has access to 3 different PID2 parameter sets (forwards, backwards, stand-by). This allows changes in load to be dealt with in the best possible way.

Filter

Up to 4 bi-quad filters can be configured per axis.

Computational power

The PowerPC 405-300MHz assumes the following tasks in a 8 ... 32kHz cycle:

- PID position controller, speed regulation, active current regulation
- 2. Target value: torque regulation
- Measuring wheel correction (inc encoder)
- Limitation for: I_{MAX} , I_{2t} , controller, motor temperatures
- Logger for 64 freely selectable parameters
- Customer-specific application
- Filter calculation

Position detection

- Resolver: single or multi-pole, 16-bit resolution per resolver revolution
- SinCos encoder: 4096 periods per revolution, 16-bit resolution
- Incremental encoder: up to 20,000 increments (incl. 4Q resolution)
- SSI, Endat, Hiperface interface

Operational safety

A number of variables are continually monitored within the motion boards: short-circuit monitors switch off the controller in the case of motor or ground short-circuit.

Rapid overcurrent cut-outs protect the motor and output stage within the individual phases. These intervene when the drive is stuck or is stopped suddenly.

The motor and output stage are monitored for overheating.

1.2 *Assembly groups*

Order no.	Type	Description
611041900	GIN-AX4	4/2 Axis Board with C96-PPC-Card4, 16 Input, 16 Output
610838600	GIN-MAX10	Multiaxis DC-Motor Module, 6x2.5A, 4x1.25A, 16 Out 24V 2A, 16 Inp 24V, 4 Analogue Input
610636340-4x2.5A	GIN-MAX4	Multi-Axes Board, 4 x 3-Phase 48V/2.5A, 16x24V/2A IO, 14 x Analog Input +-10V, 4 x Analog Out +-10V
610636341-2x5A	GIN-MAX4	Multi-Axis Board, 2 x 3-Phase 48V/5A, 16x24V/2A IO, 14 x Analog Input +-10V, 4 x Analog Out +-10V
610636300-4x2.5A	INFO-MAX4	Multi-Axes Board, 4 x 3-Phase 48V/2.5A, 16x24V/2A IO, 14 x Analog Input +-10V, 4 x Analog Out +-10V
610636301-2x5A	INFO-MAX4	Multi-Axis Board, 2 x 3-Phase 48V/5A, 16x24V/2A IO, 14 x Analog Input +-10V, 4 x Analog Out +-10V
610535700	MAX2-DBIT	Distribution Board for MAX-2
610636400	MAX4-DBIT	Distribution Board for MAX-4
610636501	MAX-DBMT	Distribution Board for MAX Boards with 2 Resolvers Inputs and 2 PWM 48V/3A outputs resistant to short-circuiting

2 Safety notes

Questions

These safety notes do not claim to be exhaustive. Please call us if you have any questions or problems. (Tel. +41 44 956 20 00)

2.1 General safety notes

Documentation

Please read this documentation fully before installation and commissioning. Incorrect handling of the modules can lead to personal injury or property damage. Ensure that the technical details and information on connection conditions are complied with.

Qualified personnel

Only qualified specialist personnel may carry out work such as transport, assembly, installation, commissioning, servicing and maintenance.

National accident prevention regulations must be observed.

ESD protection

The modules contain components that are sensitive to static charge, and that can be damaged through improper handling. Discharge the static from your body before touching the modules. Avoid contact with highly insulating materials (artificial fibres, plastic film, etc.). Place the modules on a conductive surface in a voltage-free state.

Do not touch the plug connector contacts on the drive and the connected cables, or contact pins on conductors.

2.2 Safety requirements

2.2.1 Risk analysis

The machine manufacturer must compile a risk analysis for the machine and take suitable measures to ensure that unforeseen movements do not cause damage to persons or property.

Notes on possible risks are also provided in other places throughout this document. All notes on risks, warnings, precautions and information must be observed.

Run-on

If application-dependent risks arise due to run-on, additional protective measures (e.g. moveable covers with locking) must be taken to cover the danger zone until such a time that the risk to persons or property no longer exists.

It must be noted that run-on of the drive is possible without a mechanical brake or defective brake. The securing brake is not safely controlled by the Indel servo drives. (Active output)

Braking resistance

The braking resistor is not safely controlled by the Indel servo drives. A defective or incorrectly connected braking resistor will result in the motor not stopping within the expected time span. In unfortunate cases, this can lead to personal injury or property damage.

Protection from dangerous movements

Incorrect control of motors can trigger unwanted and dangerous movements.

Such behaviour may be caused by, for example:

- Faulty installation
- Faulty configuration
- Faulty or incomplete wiring
- Defective devices or cables
- Faulty control by the software

Essentially, movement of the motor should be expected as soon as the motion board is switched on. Protection of persons and the machine can only be guaranteed by means of overarching safety measures.

Suitable measures must be taken to ensure that the movement zone of machines are protected against unintentional access by persons.

Removing, bypassing or circumventing the safety mechanisms is strictly prohibited.

Plenty of easily accessible emergency stop switches must be available in and around the machine.

Suspended loads

In the case of suspended loads, additional measures must be taken to ensure that the axis stays in place. The Indel servo drives do not offer outputs that allow you to safely control securing brakes. Holding brakes do not offer any protection when slowing down the motor.

Further notes

The emergency stop function may not necessarily lead to the energy supply being switched off. Drives may remain in operation. Protection against touching live parts is therefore not necessarily guaranteed.

Position switches and actuating controls must be secured against shifting in accordance with EN1088.

The reaction in the event of a power cut must be considered.

2.2.2 24V DC power supply

The motor may spin out in the event of loss of the 24V power supply to the motion board. If this is not permissible, external measures must be taken to prevent the axis from spinning out.

2.2.3 48V DC power supply (motor supply)

The motor may spin out in the event of loss of the 48V DC power supply to the motors. If the intermediate circuit voltage U_{CC} falls below the configured limit $U_{CC\ MIN}$, the motor control will go into error mode and the motor will be switched off.

2.2.4 EMV

For EMC-compliant wiring, see the Indel wiring guidelines, as well as the wiring instructions in this document.

The manufacturer of machines or systems must take additional EMC safety measures if the product standard applicable to their machine stipulates lower limit values. Additional EMC safety measures may be required for machines that contain a large number of Indel servo drives. In such cases, the installation of a central mains filter is usually sufficient.

When using Indel motion boards in residential areas or when connecting Indel motion boards to a low-voltage network that will supply buildings in residential areas without intermediate transformers, additional measures must be implemented in order to filter out interference.

2.2.5 Commissioning

Before switching on a motion board, it must be ensured that the unit is correctly connected to the earth potential. The earth connections must always be put in place, even if the motion board is only being operated for testing purposes.

The commissioning must be documented and proof of the safety functions must be kept.

2.2.6 Intended use

The Indel motion boards must only be used within the framework specified in this document and other documents to which it refers.

Intended use is prohibited until it has been established that the machine complies with the provisions of EC Directive 2006/42/EC (Machinery Directive) and Directive 2004/108/EEC (EMC Directive), or the relevant current version of said directives. Otherwise, the Indel motion board cannot be marketed.

Additional measures must be taken for use in areas at risk of explosion, such as flame-proof enclosure in accordance with EN 50014 and EN 50018.

2.2.7 Plug-in connections

Plug-in connections must never be plugged in or unplugged when the unit is switched on.

2.2.8 Responsibility

The motion boards are not completely safe from failure, particularly the safety functions. In the event of failure, the operator is responsible for ensuring that the machine/system is put into a safe condition.

All diagnosis and monitoring functions can only interrupt the control of the motor. This means that the motor becomes currentless and can no longer be controlled or slowed down!

Depending on the application, additional measures are required to slow down or stop the motor.

The operator is responsible for safety.

3 Technical details

3.1 Technical details for motion boards

Ambient conditions		Motion boards
Switch-on interval	s	> 10
Ambient temperature: Storage	°C	-20 ... 80
Ambient temperature: Operation ¹⁾	°C	0 ... 45
Heat sink temperature max.	°C	80
Relative humidity, no condensation	°C	80%
Protection class		IP-20
Degree of contamination		2 (EN 50178)
Installation position MAX-Boards(sufficient cooling required, possibly with fan)		any
Installation position GIN-AX4(sufficient cooling required, possibly with fan)		vertical, upright
Vibration as per IEC 68-2-6	mm	0.35
Amplitude, frequency response	Hz	10 ... 120
Shock	g	1
Interference emission, industrial zone		EN 61000-6-4
Interference resistance, with mains filter, industrial zone		EN 61000-6-2

1) To keep the ambient temperature below 40°C you may need to install additional cooling measures

24V logic supply

Logic supply		INFO-MAX4 2x5A	INFO-MAX4 4x2.5A	GIN-MAX4 2x5A	GIN-MAX4 4x2.5A	GIN-MAX10	GIN-AX4
Operating voltage	VDC	24V -5% +15%					
Galvanic isolation		no					
External fusing, fast	A	8					
Max. potential between earth and 0V	VDC	50					
Power consumption at 24V	mA	250	250	300	300	300	300

On-board supplies

Supplies		MAX-2,4,10	AX4
Voltage	V	± 15 / ± 15%	
Power (± 15V supply)	mA	50	
Voltage	V	± 5 / ± 5%	
Power (± 5V supply)	mA	100	
Supply for encoders; voltage	V	5 / ± 5%	5 / ± 5%
Power (5V supply)	mA	600	600
Supply for logic; voltage	V	3.3 / ± 5%	
Power (3.3V supply)	mA	50	

Motors

Motor		Motion boards
Minimum inductance	mH	1
Minimum resistance	Ohm	0.2
Max. Cable length in the case of cable lengths > 20m use choke 0.5 ... 1mH	m	20
Min. Cable length in parallel operation of GIN-AX4 Minimum length of the parallel strands of the motor connections.	m	0.12
Motor temperature monitoring Bi-metal sensor must be in motor cable Motor temperature monitoring only for AX4		Bi-metal KTX-84 100 / 110 PTC 10k GT2
Accuracy of analogue temperature sensors	°C	± 2
Motor cable		shielded
Motor types: - Synchronous servo motors and brushless asynchronous motors - DC motors, linear motors, stepper motors (two coils) The motors must be designed for operation using digital servo drives		

MAX boards output stages

Nominal values		MAX4 4x2.5A	MAX4 2x5A	MAX10	AX4 4x5A	AX4 2x10A
Number of output stages (MAX-10 only DC motors)		4	2	10	4	2
Motor supply voltage	VDC	15 ... 48			0 ... 48	
Overvoltage cut-off	VDC	54				
Overheating cut-off	°C	80				
Max. Output per motor	W	100	200	4 x 50 6 x 100	200	400
I _{rated} at 8kHz sampling rate	Arms	2.5	5.0	1.25 / 2.5	5.0	10.0
I _{MAX} at 8kHz sampling rate	Arms	2.5	5.0	1.25 / 2.5	5.0	10.0
I _{rated} at 12kHz sampling rate	Arms	2.5	5.0	1.25 / 2.5	5.0	10.0
I _{MAX} at 12kHz sampling rate	Arms	2.5	5.0	1.25 / 2.5	5.0	10.0
I _{rated} at 16kHz sampling rate	Arms		5.0		5.0	10.0
I _{MAX} at 16kHz sampling rate	Arms		5.0		5.0	10.0
I _{MAX} brake FET	ADC	5	5	-	10	10
Minimum external braking resistance (48V supply)	Ohm	10	10		10	10
External fusing, triggering characteristic: Slow, C	A	10	10	10	20	20
Power dissipation	W	25	25	25	35	25
Weight	Kg					

PWM oversampling for motor drive: Sampling rate x2, x3, x4
 Iron-less motors run better with PWM oversampling.

Feedback systems

MAX-2/4

total of 4 encoder inputs: 2 incremental encoder inputs, as well as 2 inputs that can be configured as either an incremental encoder input or a SinCos input.

MAX-10

10 x incremental encoder inputs

AX4 (SinCos)

4 encoder inputs: each encoder input can be configured as an incremental encoder or SinCos encoder.

Plus 2 digital interfaces for Hiperface, Endat, SSI (motor 1, 3)

Absolute feedback systems

Digital absolute feedback systems		AX4
Number of dig. feedback systems (motor 1, 3)		2
Endat 2.1		<input checked="" type="checkbox"/>
Endat 2.2		a.A.
Synchronous serial interface, max. Telegram length	Bit	32
Hiperface		<input checked="" type="checkbox"/>
Biss		a.A.

An incremental encoder can also be connected to the absolute feedback inputs.
See section 3.3.5 Pin assignment for AX4 encoder systems

Resolver

Resolver inputs		MAX-Boards with DBMT connector board
Resolution	Bit	16
Reference, bridge circuit	Vrms	2
Sine/cosine input	Vrms	1
Multi-pole resolvers		<input checked="" type="checkbox"/>
Resolver cable		Pair-twisted, double shielded
Number of channels per board		2

Incremental encoder

Incremental encoder inputs		MAX2, 4	AX4	MAX-10
Level		RS422 ⁶⁾		
Max. Counting frequency of incremental encoder track ¹⁾	MHz	2.5	2.5	2.5
Max. Counting frequency for incremental encoder at SinCos input ²⁾	kHz	250		-
Max. Counting frequency for incremental encoder at absolute feedback system inputs ³⁾	MHz	-	2.5	-
Voltage supply for encoders	V	5		
Power, total for all encoders	mA	200	800	200
Encoder cable		shielded		
Number of channels per board		4 ⁴⁾	4 ⁵⁾	10

- 1) Example: Incremental encoder with 0.1µm resolution (with 4-quadrant resolution) can be moved at 10m/s. A safety factor of 2 has already been included.
- 2) Example: Incremental encoder with 1µm resolution (with 4-quadrant resolution) can be moved at 10m/s. A safety factor of 2 has already been included.
- 3) On the AX board, rapid digital encoders can be connected to the absolute feedback system inputs. Also see section 3.3.5 Pin assignment for AX4 encoder systems. In the case of AX4 boards, this function is available from HW Rev. B.
- 4) The MAX2, MAX4 boards are each equipped with two pure digital encoder inputs and two combined digital encoder / SinCos inputs.
- 5) The AX4 board is equipped with four combined digital encoder / SinCos inputs. Also see section 3.3.5 Pin assignment for AX4 encoder systems
- 6) In accordance with the RS422 standard, each input is equipped with 120 Ohm resistance. The encoder must be able to handle this load

SinCos encoder

Sin/Cos inputs		GIN-MAX2, 4 INFO-MAX2, 4	AX4
Level: Sine, cosine, reference	V _{rms}	1	1
Differential input resistance	Ohm	120	120
Max. Periods / s ^{1), 2)}	kHz	200	200
Voltage supply for encoders		5V + 10% / 200mA	5V + 10% / 200mA
Voltage supply for encoders		10V + 10% / 100mA	10V + 10% / 100mA
Encoder cable		pair-twisted double shielded	pair-twisted double shielded
Number of channels per board ³⁾		2	4

- 1) Analogue inputs: The maximum sampling rate for analogue inputs is 450kHz, or 250kHz with a multiplexer.
- 2) For incremental encoder to Sin/Cos input see "Incremental encoder" table.
- 3) The MAX2, MAX4 boards are each equipped with two pure digital encoder inputs and two combined digital encoder / SinCos inputs. Also see section 3.3.5 Pin assignment for AX4 encoder systems

Digital inputs and outputs

Digital inputs and outputs		MAX-2,4	MAX-10	AX4
Number of digital outputs		16		
24V outputs (resistant to short-circuiting)	V _{OUT}	18 ... 32		
Constant current of 24V outputs	A	1		
Switching delay of outputs	ms	0.5		
Number of digital inputs		16		
Digital inputs U _{IN}	V	18 ... 32		
Digitale Eingänge I _{ON} @ 24V	mA	1		
Input filter	us	250		
Level for logic 1	V _{ON}	13.2		
Level for logic 0	V _{OFF}	5.4		
Input impedance	Ohm	26.7k		
Galvanic isolation of inputs and outputs		□		
Number of trigger inputs		-	4	-
Trigger inputs U _{MAX}	V	-	5	-

Pulsators (optional)

TTL outputs		AX4		
TTL outputs (74ABT245)	V _{OUT MAX}	5V/3.3V		
Constant current of TTL outputs I _{MAX}	mA	10		
PWM frequency	kHz	20		
Shortest Δt	ns	20		
Number of TTL outputs		8		

PWM outputs

PWM outputs		MAX2,4	MAX-10	AX4
PWM outputs, resistant to short-circuiting, open drain	V _{OUT MAX}	0 ... 36	0 ... 36	0 ... 48
Constant current of PWM outputs I _{MAX}	A	2.5	2.5	5
PWM frequency	kHz	20	20	20
Shortest Δt	ns	20	20	20
Number of PWM outputs, incl. brake		3	6	1

Analogue inputs and outputs

Analogue inputs and outputs		MAX2,4	MAX-10	AX4
Number of analogue inputs		14	4	-
Ranges	V	± 10 ± 1 ± 0.1	± 5	
Converter time / channel	Khz	4	8 ... 12	
Resolution	Bit	16	16	
Average filter		1 ... 256	1 ... 256	
Number of analogue outputs		4	-	-
Range	V	± 10		
Power per channel I _{MAX}	mA	5		
Resolution	Bit	16		
Accuracy		1 ‰		

Once switched on, the output of the analogue outputs is -12V over 300ms.

Accuracy of analogue inputs

Accuracy of analogue inputs Measuring range		Relative accuracy of individual measurement	Relative accuracy averaged for 100 values	Absolute accuracy
± 10 V	Bit	14	15	14
± 1 V	Bit	13	14	13
± 0.1 V	Bit	12	14	12

Optimum stability of measurement values is achieved once the unit has been switched on for 15min.

The accuracy specifications apply at the operating temperature.

Interfaces

Interfaces		INFO-MAX2,4	GIN-MAX2,4	GIN-MAX10	GIN-AX4
Serial interface	RS232	1	1	1	1
Baud rate	RS232	115'200	115'200	115'200	115'200
Protocols: Modbus		<input checked="" type="checkbox"/>	<input checked="" type="checkbox"/>	<input checked="" type="checkbox"/>	<input checked="" type="checkbox"/>
INFO-link interface	11MBit	<input checked="" type="checkbox"/>	<input type="checkbox"/>	<input type="checkbox"/>	<input type="checkbox"/>
Ethernet interfaces 2 x GinLink or 1 x Ethernet, 1x GinLink	1GBit	-	2	2	2
IMP interface		<input type="checkbox"/>	<input type="checkbox"/>	<input type="checkbox"/>	<input checked="" type="checkbox"/>
Number of participants		-	-	-	1
5V supply (IMP bus)	mA	-	-	-	800

3.2 *Technical details for connector boards*

3.2.1 MAX-DBIT

Analogue inputs

Analogue inputs		Channel no.	Pin	MAX-DBIT
Vacuum sensor 1)		0	On Board	
Analogue inputs		1 ... 3	X19, X20	
Potentiometer input		3	X38	
Potentiometer voltage	V			10
PT-100 inputs		4 ... 7	X20, X21, X22	
Measuring current for PT-100 re- sistance	mA			3.333
Thermocouple inputs		8 ... 12	X11 ... X15	
PT-100 balancing point		13	On Board	
PT-100 references		14 ... 15	On Board	

1) For specifications for the analogue inputs see section 3.1 Technical details for motion boards

3.2.2 MAX-DBMT

Analogue inputs

Analogue inputs		Channel no.	Pin	MAX-DBMT
Analogue inputs 1)		0 ... 11	X16, 17, 18	
PT-100 inputs		12 ... 13	X13	
PT-100 references		14 ... 15		
Measuring current for PT-100 re- sistance	mA			3.333

Analogue outputs

Analogue outputs		Channel no.	Pin	
Analogue outputs 1)		0 ... 1	X14	
Resolver reference 2)		2 ... 3	X13	

1) For specifications for the analogue inputs and outputs see section 3.1 Technical details for motion boards

2) For resolver specifications see section 3.1 Technical details for motion boards Resolver

PWM outputs

PWM outputs			MAX-DBMT	
Number of PWM outputs, open collector Pins X27, X28: PDOUT-0, PDOUT-1			2	
Maximum PWM frequency		kHz	4	
Maximum voltage		VDC	50	
Maximum power		A	5A	
R _{DS ON}		mOhm	0.1	

3.3 Dimensions, pin assignment

3.3.1 Dimensions of AX4

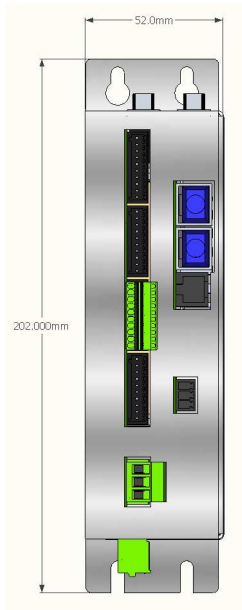


Fig. 2: AX4 front

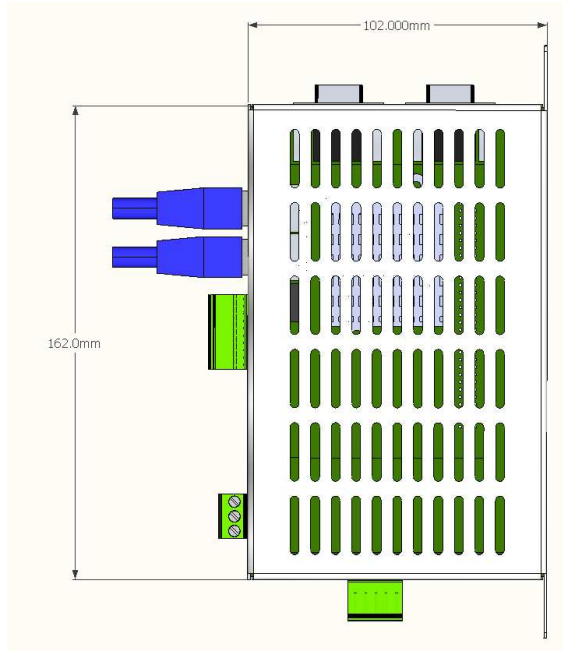


Fig. 1: AX4 side

A minimum distance of 50mm must be maintained between the individual motion boards.

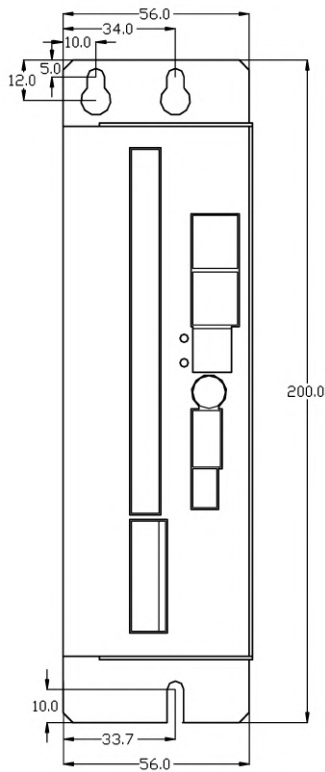


Fig. 3: Drill plan, AX4

3.3.2 Pin arrangement for AX4 board

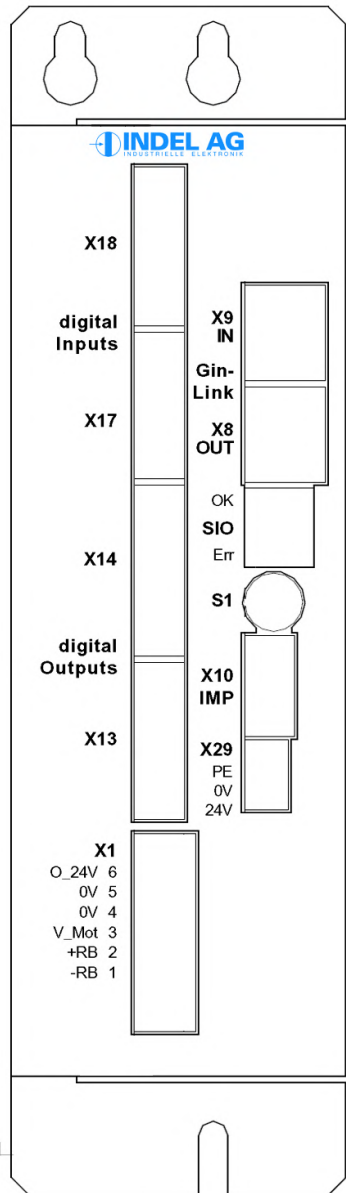


Fig. 4: Front pins

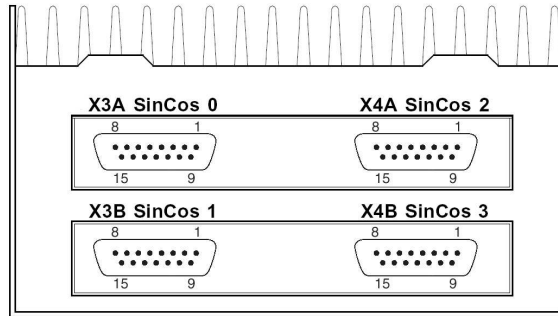


Fig. 5: Encoder pins

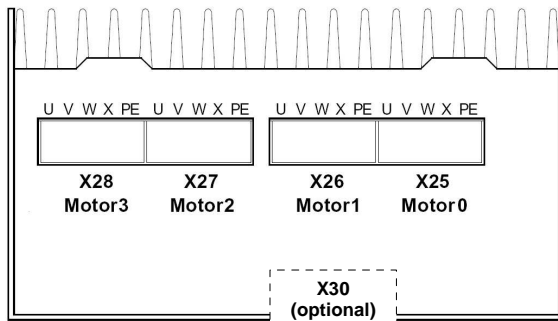


Fig. 6: Motor pins

Absolute feedback systems can be connected to pins X3B, X4B; SinCos 1, 3.

3.3.3 Pin assignment for digital inputs and outputs in AX4

X13 Digital outputs	1	O	0V	Ground for 24V outputs
	2	O	OUT 0	Output 0
	3	O	OUT 1	Output 1
	4	O	OUT 2	Output 2
	5	O	OUT 3	Output 3
	6	O	OUT 4	Output 4
	7	O	OUT 5	Output 5
	8	O	OUT 6	Output 6
	9	O	OUT 7	Output 7
	10	O	0V	Ground for 24V outputs
X14 Digital outputs	11	O	0V	Ground for 24V outputs
	12	O	OUT 8	Output 8
	13	O	OUT 9	Output 9
	14	O	OUT 10	Output 10
	15	O	OUT 11	Output 11
	16	O	OUT 12	Output 12
	17	O	OUT 13	Output 13
	18	O	OUT 14	Output 14
	19	O	OUT 15	Output 15
	20	O	0V	Ground for 24V outputs
X17 Digital inputs	1	O	0V	24V Ground
	2	I	IN 0	Input 0
	3	I	IN 1	Input 1
	4	I	IN 2	Input 2
	5	I	IN 3	Input 3
	6	I	IN 4	Input 4
	7	I	IN 5	Input 5
	8	I	IN 6	Input 6
	9	I	IN 7	Input 7
	10	O	24V	24V supply for sensors
X18 Digital inputs	11	O	0V	24V Ground
	12	I	IN 8	Input 8
	13	I	IN 9	Input 9
	14	I	IN 10	Input 10
	15	I	IN 11	Input 11
	16	I	IN 12	Input 12
	17	I	IN 13	Input 13
	18	I	IN 14	Input 14
	19	I	IN 15	External enabler for all axes
	20	O	24V	24V supply for sensors

3.3.4 Pin assignment for supplies and interfaces in AX4

X1 Supply Output	1	I	- Brake	Braking resistor
	2	I	+ Brake	Braking resistance (V_Mot)
	3	I	V_Mot	Supply for motors
	4	I	0V	24V Ground
	5	I	0V	24V Ground
	6	I	24V Out	Supply for digital outputs

X10 IMP interface	1	I	SOut	Serial data out, from IMP modules
	2	O	SIn	Serial data in, to IMP modules
	3	O	SEL	Select
	4	O	Clk	Clock
	5	O	+5V	Logic supply
	6	O	Gnd	Ground

X29 Supply Logic	1	I	24V	Supply for logic and inputs
	2	I	0V	24V Ground
	3	I	Earth	Earth

X30 Pulsators (optional)	1	O	Out 0	TTL output 0
	2	O	Out 1	TTL output 1
	3	O	Out 2	TTL output 2
	4	O	Out 3	TTL output 3
	5	O	0V	0V
	6	O	Out 4	TTL output 4
	7	O	Out 5	TTL output 5
	8	O	Out 6	TTL output 6
	9	O	Out 7	TTL output 7
	10	O	0V	0V

GinLink / Ethernet

AX4 board as GinLink slave

X9 GinLink In
X8 GinLink Out

AX4 board as stand-alone controller

X9 GinLink In
X8 Ethernet

For stand-alone operation, rotary switch S1 must be set to 0x4.

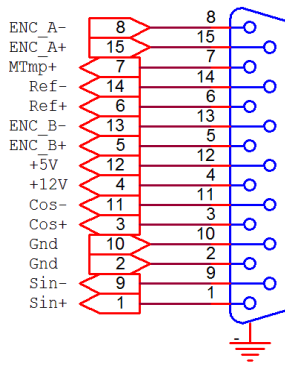
3.3.5 Pin assignment for AX4 encoder systems

Pin	Encoder type 1	Encoder type 2	Encoder type 3
X3A	SinCos 0	Enc 0	
X3B	SinCos 1	Enc 1	Absolute feedback system 1
X4A	SinCos 2	Enc 2	
X4B	SinCos 3	Enc 3	Absolute feedback system 3

X3A, X4A

SinCos Interface
Incremental encoder interface

D-sub, 15-pole
Female

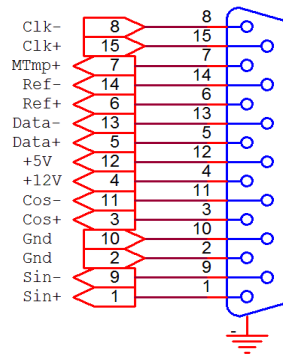


Pin 4 = +12V DC
Pin 12 = +5V DC

X3B, X4B

SinCos Interface
Incremental encoder interface
SSI-Interface

D-sub, 15-pole
Female



Pin 4 = +12V DC
Pin 12 = +5V DC

Incremental encoder to absolute feedback inputs (pins X3B, X4B)

Incremental encoders can also be connected to the inputs for the absolute feedback system.

- +IncA = Clk+
- IncA = Clk-
- +IncB = Data+
- IncB = Data-
- +Ref = Ref+
- Ref = Ref-

This type of connection allows you to achieve considerably higher signal frequencies for the encoder signals; see section 3.1 Technical details for motion boards, sub-section: Incremental encoder

In the case of AX boards, this function is available from HW Rev. B.

Interruptions in the encoder and motor cables – when leading them into a cabinet or similar – should be designed with metal plug connections, not clamp connections.

Single-ended incremental encoders

Additional level adjustment is required if single-ended incremental encoders are being used. A connection must be made to the encoder interface at jacks X3A and X4A and to the absolute feedback interface at jacks X3B and X4B. Fig. 7 und Fig. 8 give an example for the absolute feedback interface. **However, we generally recommend that you use incremental encoders with a RS422 interface as per the current industry standard.**

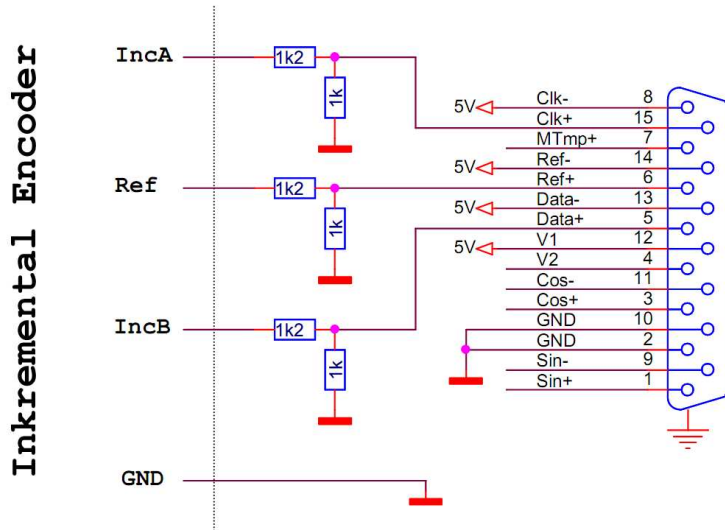


Fig. 7: Connection example for 24V single-ended incremental encoder

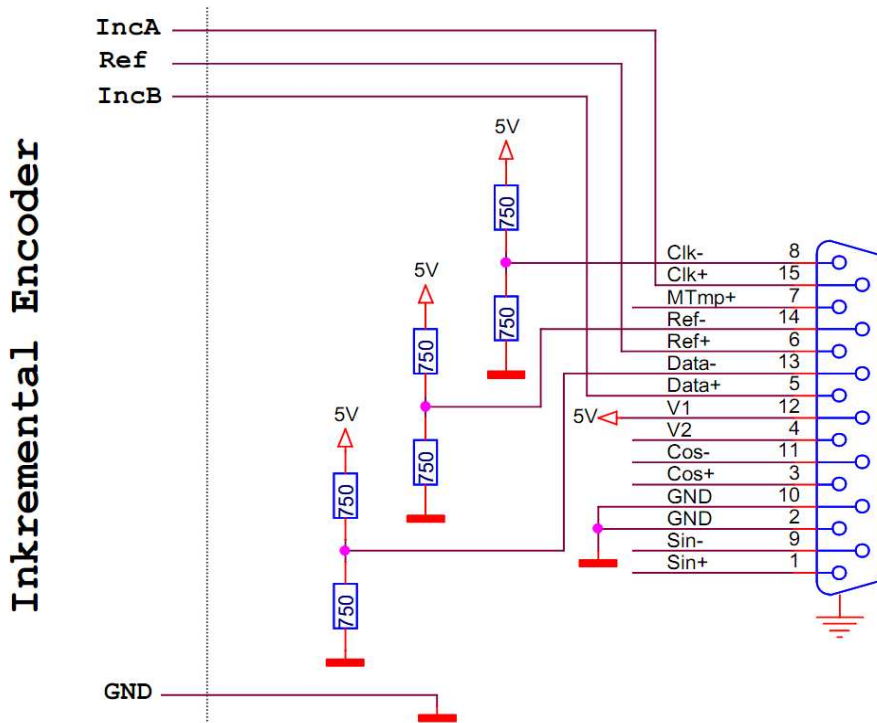


Fig. 8: Connection example for 5V single-ended incremental encoder

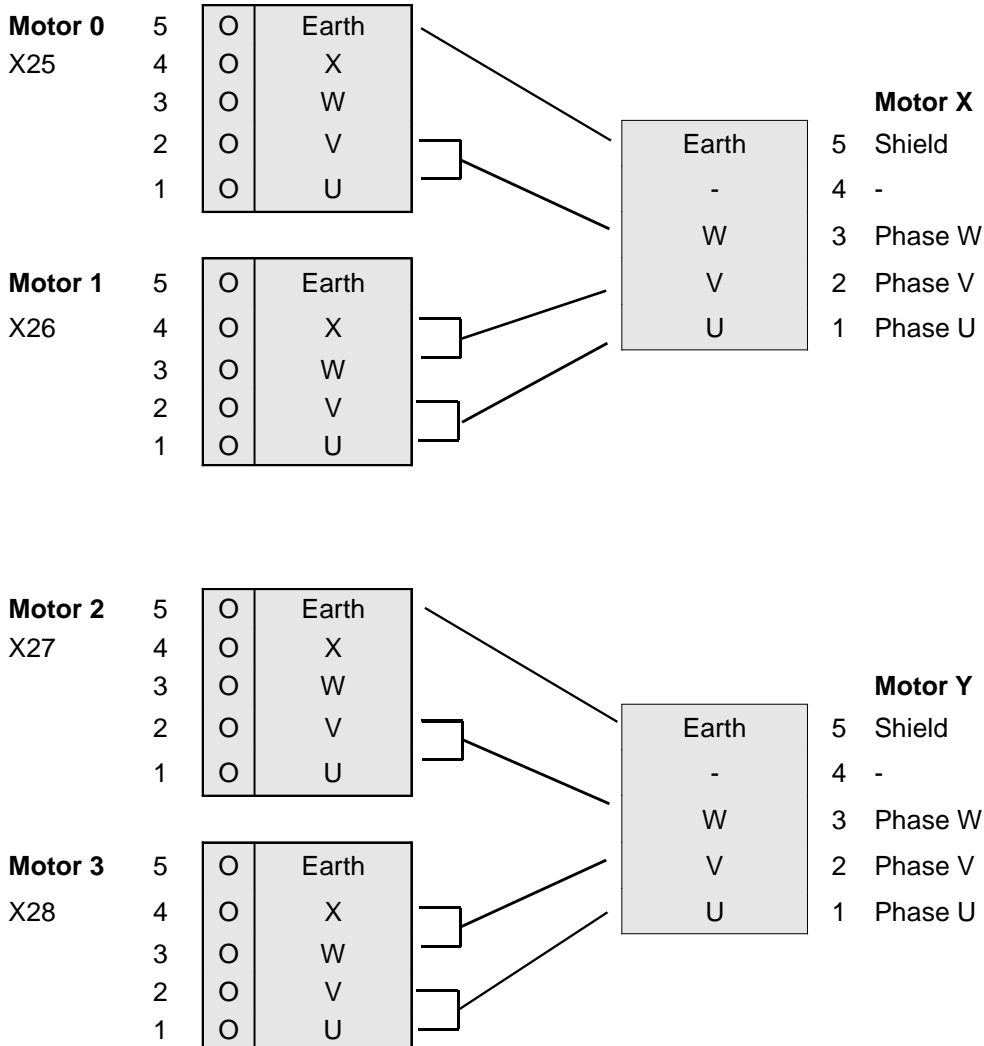
3.3.6 Pin assignment for motors in AX4

X25, X26, X27, X28				3-phase motors	Stepper motors
5	O	Earth		Shield	Shield
4	O	X		-	Stepper motor L2-
3	O	W		Phase W	Stepper motor L1-
2	O	V		Phase V	Stepper motor L2+
1	O	U		Phase U	Stepper motor L1+

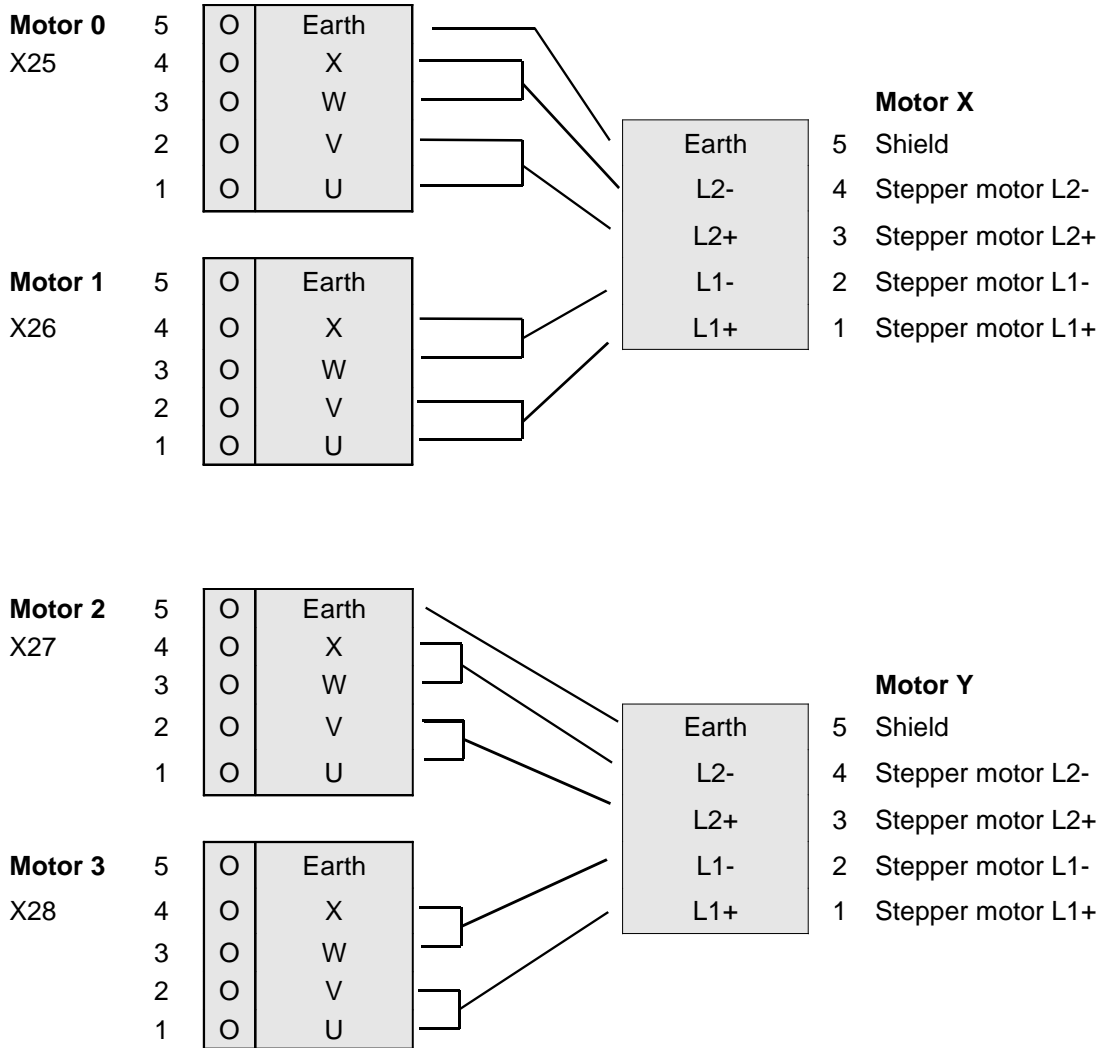
In order to operate 2 motors on the AX4 board, motors 0,1 and motors 2,3 must be switched in parallel: (direct view of motor pins)

3-phase motors in parallel operation

In the case of parallel operation, the Y cables (from the motor pin to the junction of the parallel cables) must be at least 25 cm long. Otherwise, the output stages may be damaged.



Stepper motors in parallel operation



3.3.7 Dimensions of MAX boards

3.3.7.1 MAX-Boards

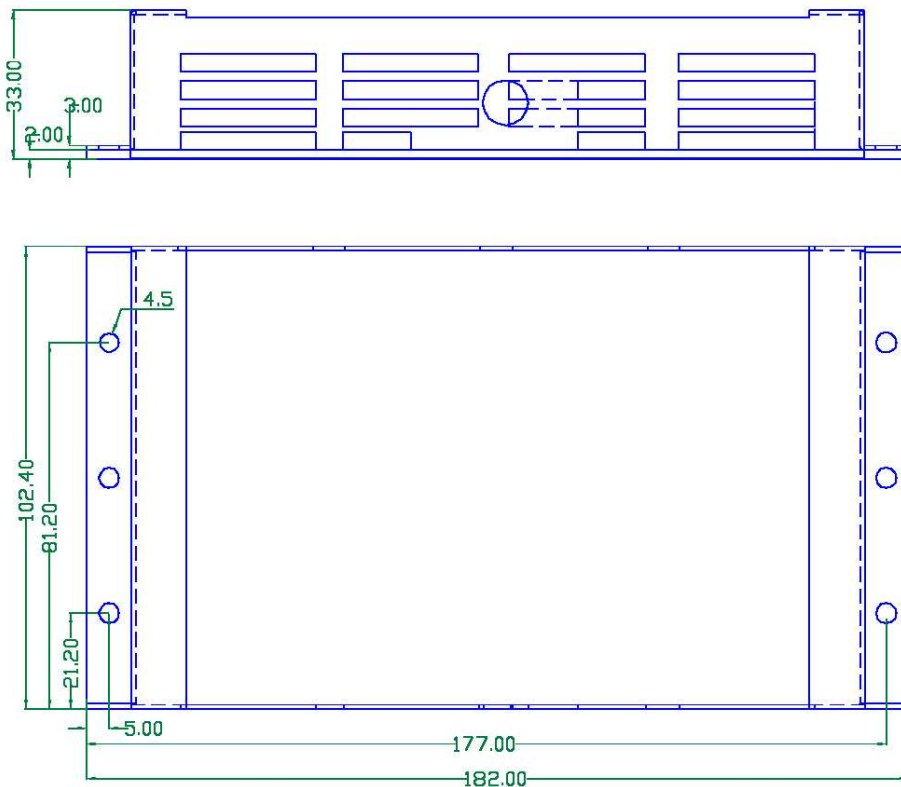


Fig. 9: MAX housing

Total height with pins, without cabling: 50mm

Pins at INFO-MAX2/4/10

Pins X1, X3

Pins with press-fit technology

Harting:0973 196 6904 male

3.3.7.2 Connector board MAX2-DBIT

Dimensions of MAX2-DBIT

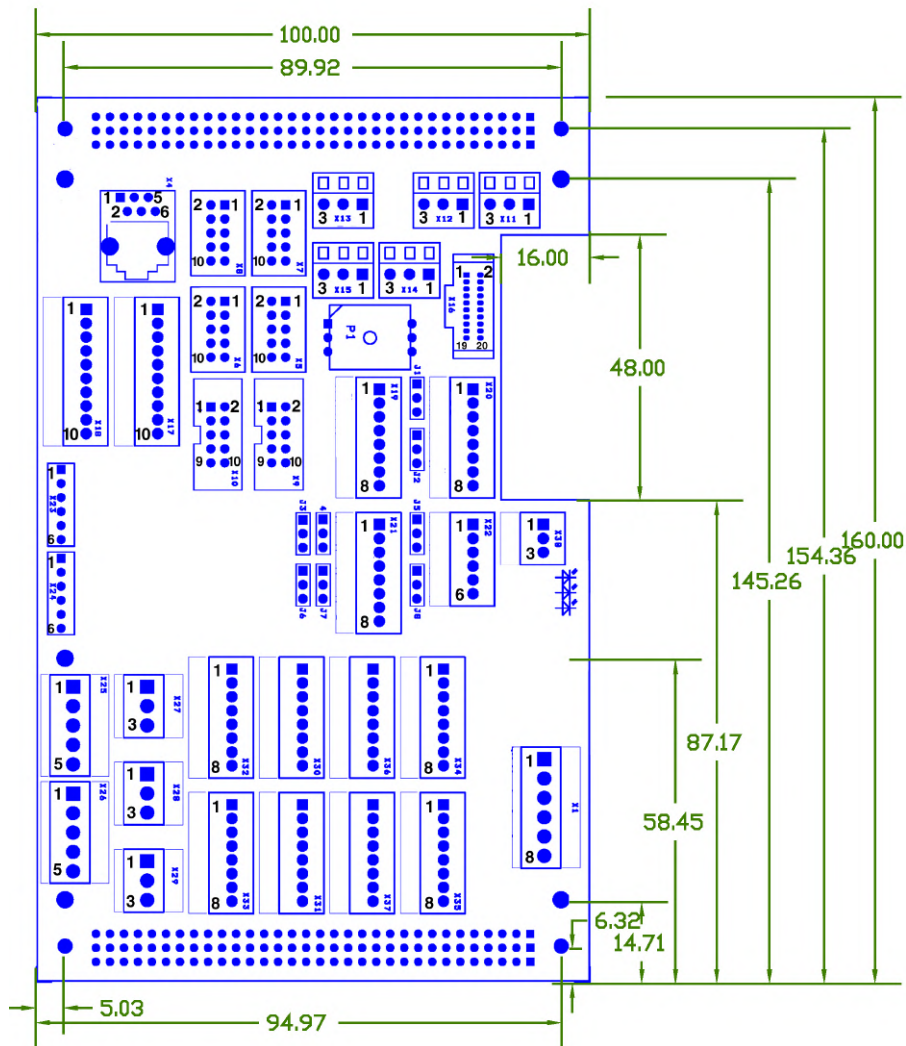


Fig. 10: MAX2-DBIT measurements

Vacuum sensor

- Honeywell SDX15A2
- Measuring range: 0 ... 15 psi
- Full Scale: 90mV

PT-100 inputs

4 PT-100 inputs at pins: X20, X21, X22
 The measuring current for PT100 resistance is 3.3333mA.

Motor enabler input

Input 15 (DI15, pin 30) at pin X37 is reserved for the motor enabler. All output stages are released by input 15.

3.3.7.3 Connector board MAX4-DBIT

Dimensions of MAX4-DBIT

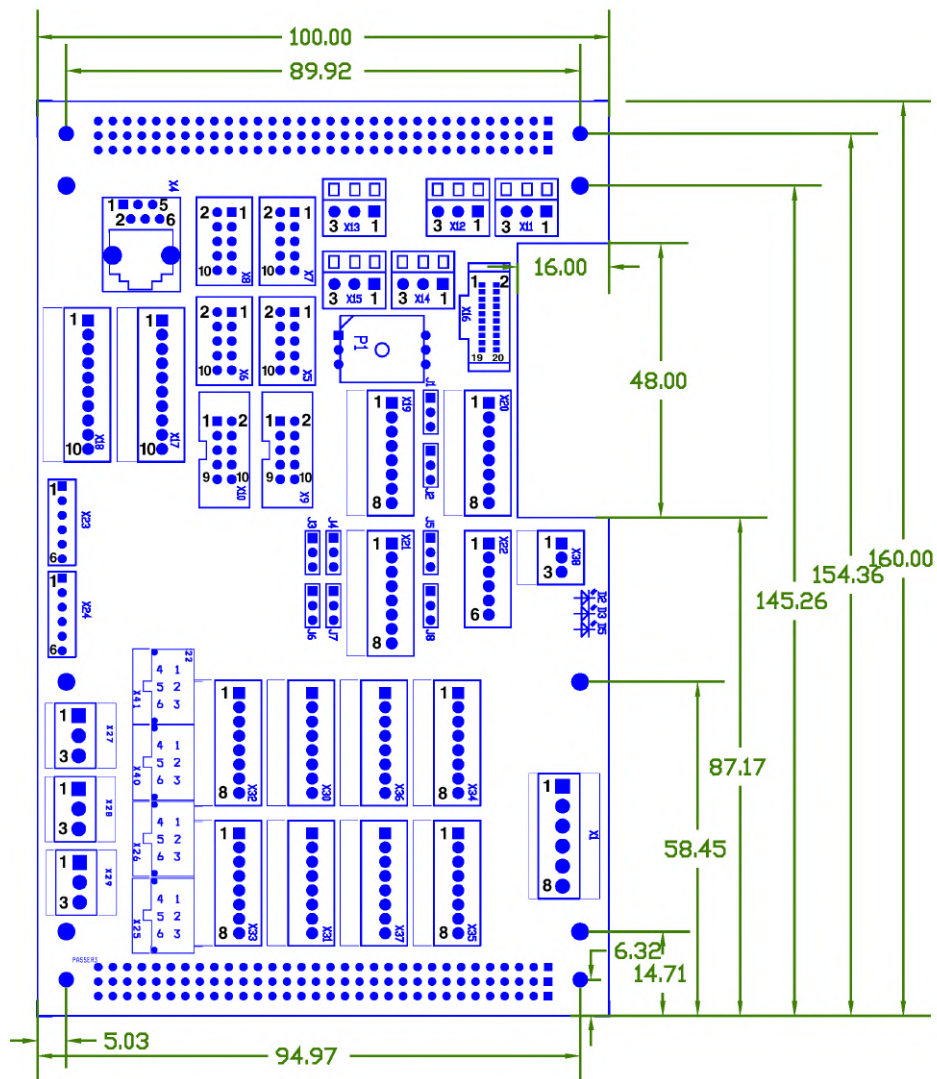


Fig. 11: MAX4-DBIT measurements

All pins as in MAX2-DBIT

Pins X25, X26, X40, X41 on connector board MAX4-DBIT

Motor pins	Molex Arrow	43045 series 250V/5A 43045-0612
Companion piece on cable		
Pin housing	Digikey	43025-0600
Crimp contacts	Molex microFit	43030-0007 tin-plated
Extraction tool Micro-Fit, Pico-Blade	Digikey	11-03-0043
Crimp-Tool	Digikey	63819-0000

All information on pins is subject to correction.

3.3.7.4 Connector board MAX-DBMT

Dimensions of MAX-DBMT

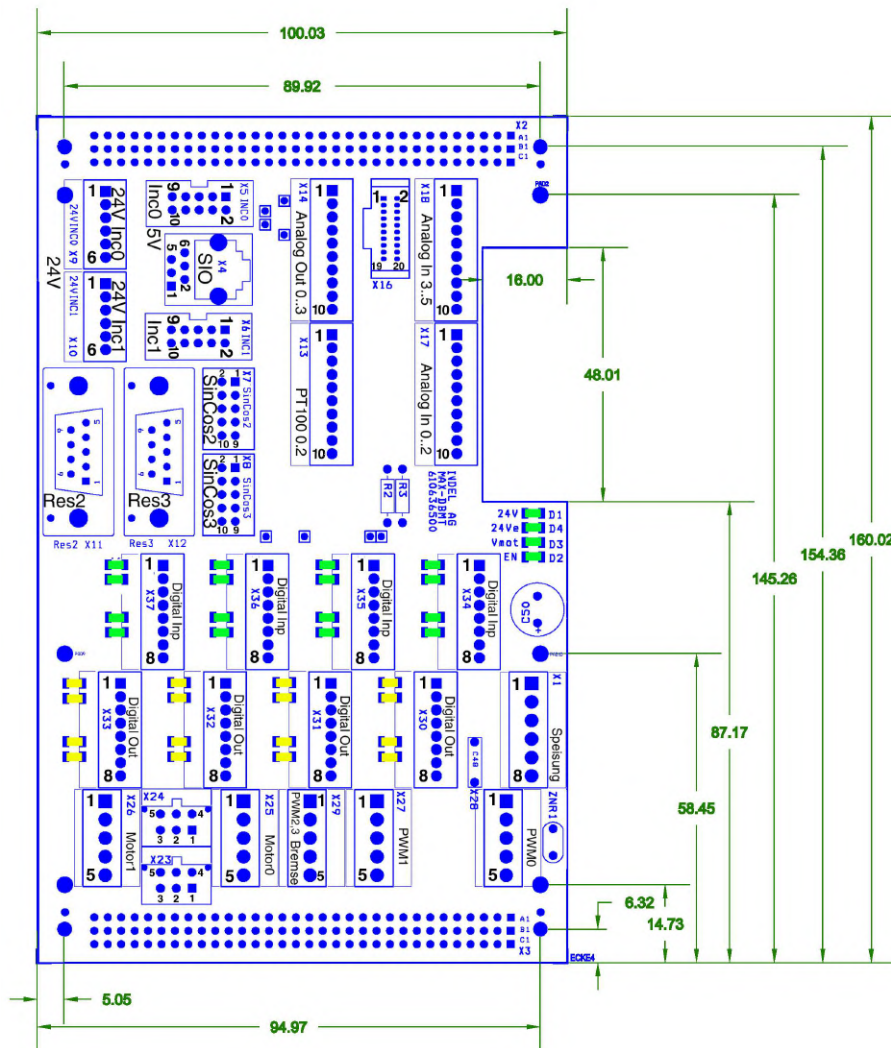


Fig. 12: MAX-DBMT measurements

Digital I/Os

Status display for all I/Os

PT-100 inputs

2 PT-100 inputs at pin X13

The measuring current for PT100 resistance is 3.3333mA.

Motor enabler input

Input 15 (D115, pin 30) at pin X37 is reserved for the motor enabler. All output stages are released by input 15.

24V encoder

24V encoders can be connected to pins X9, X10. With the 24V encoder version, only TTL encoders – not RS422 encoders – can be connected to pins X5, X6!

SinCos encoders and RS422 encoders can be connected to the SinCos inputs.

Thermocouple inputs

Thermocouple elements can be connected to pins X17 ... X18.

- Relative accuracy: 256 averages 15 bit
- Absolute accuracy 45uV
- Type T,U CU-constantan
- Type J,L Fe-constantan
- Type E,K Chromel-alumel
- Type B,E,R Platinum-rhodium

Resolver

Resolvers can be connected to pins X11, X12.

Analogue outputs

Analogue outputs 0 and 1 are free, analogue outputs 2 and 3 are reserved for the resolver reference and cannot be used.

PWM outputs

Loads such as heating elements can be connected to pins X27, X27.

- PWM voltage 48V
- PWM power duration 3 ... 6A
- PWM power max. 10A, resistant to short-circuiting

Power consumption with connector board

INFO-MAX2 with MAX-DBMT 450 mA
without load at analogue and digital outputs, 16 LEDs on, without encoder

Pins on connector board MAX-DBMT

Pins X2, X3 Pins with press-fit technology on connector board	Harting	0903 296 6850	female
Companion piece on INFO-MAX2	Harting	0973 196 6904	male
Pin X4, serial interface RS232 Pins on connector board	Compona	319 566	RJ12, 6p.
Companion piece on serial cable	Compona	327 266	RJ 12, 6p.
Pins X5 ... X6, encoders 0 ... 1 Jack on connector board	Tyco Arrow	609-1027 341380	
Pins X7 ... X8, SinCos 2, 3 Jack on connector board	Molex microFit Spoerle	90130-1210 245270	Header, 10-pole
Pins X9 ... X10, 24V incremental feedback encoder 0, 1 Jack on connector board, 6-pole	Phoenix	19 63 573	MCV 0.5/6-G-2.5 THT
Companion piece on encoder cable	Phoenix	18 81 367	FK-MCP 1.5/6-ST-2.5
Pins X11 ... X12, resolvers 2, 3 Jack on connector board	Harting	0966 151 6512	D-SUB standing female 9-pole

For companion pieces see MAX-DBIT

Connection diagram

Pin assignment can be found in the file: Anschluss-Schema-MAX-DBMT.pdf

All information is subject to correction.

3.3.7.5 *GinLink, ethernet connections*

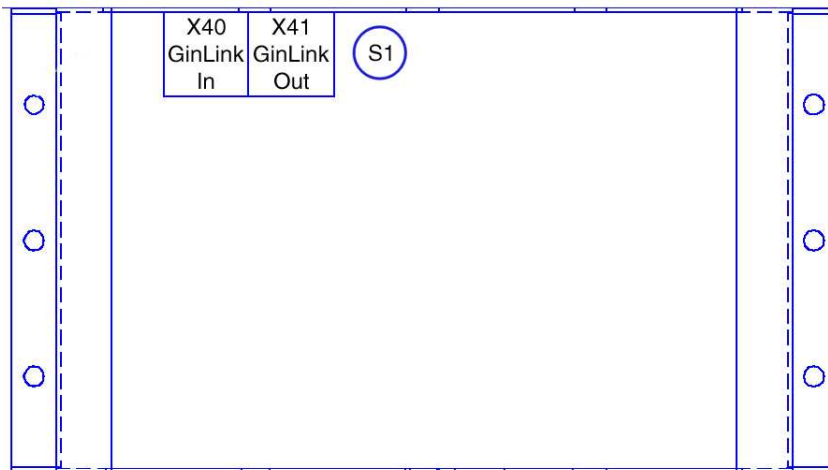


Fig. 13: *GinLink, ethernet pins*

MAX4 board as GinLink slave

X40 GinLink In
 X41 GinLink Out

MAX4 board as stand-alone controller

X40 GinLink In
 X41 Ethernet

For stand-alone operation, rotary switch S1 must be set to 0x4.

3.3.8 Pin assignment for MAX-2,4

Pin X3 - MAX2/MAX4

	a			b			c		
1	I	+V0	IN	I	-V0	IN	I	+V1	IN
2	I	-V1	IN	I	+V2	IN	I	-V2	IN
3	I	+V3	IN	I	-V3	IN	I	+V4	IN
4	I	-V4	IN	I	+V5	IN	I	-V5	IN
5	I	+V6	IN	I	-V6	IN	I	+V7	IN
6	I	-V7	IN	I	+V8	IN	I	-V8	IN
7	I	+V9	IN	I	-V9	IN	I	+VA	IN
8	I	-VA	IN	I	+VB	IN	I	-VB	IN
9	I	+VC	IN	I	-VC	IN	I	+VD	IN
10	I	-VD	IN	I	PTR100	O		AGnd	
11	I	PTR270	O		+V1	Out	O	AGnd	
12	O	+V2	Out	O	+V0	Out	O	AGnd	
13	O	+V3	Out	O	Gnd		I	Enc 2 Sin+	
14	I	Enc 2 Sin-	O		+ENC 5V		I	Enc 2 Cos+	
15	I	Enc 2 Cos-	O		Gnd		I	Enc 2 Ref+	
16	I	Enc 2 Ref-	O		+ENC 5V		I	Enc 3 Sin+	
17	I	Enc 3 Sin-	O		Gnd		I	Enc 3 Cos+	
18	I	Enc 3 Cos-	O		+ENC 5V		I	Enc 3 Ref+	
19	I	Enc 3 Ref-	O		Gnd		I	Enc 0 A+	
20	I	Enc 0 A-	O		+ENC 5V		I	Enc 0 B+	
21	I	Enc 0 B-	O		Gnd		I	Enc 0 Ref+	
22	I	Enc 0 Ref-	O		+ENC 5V		I	Enc 1 A+	
23	I	Enc 1 A-	O		Gnd		I	Enc 1 B+	
24	I	Enc 1 B-	O		+ENC 5V		I	Enc 1 Ref+	
25	I	Enc 1 Ref-	O		Gnd		O	Erde	
26	O	C_DTR	O		C_TxD		I	C_RxD	
27	I	C_DSR	O		Gnd		I	Ext_Board	
28	O	SCLA	B		SDA		O	+3.3V	
29	I	EEWC	O		SER_CLK		O	SER_Load	
30	O	SER_OEN	O		SER_DMD		I	SER_DDM	
31	O	+15V	O		-15V		O	AGnd	
32	O	-5V	O		+5V		O	AGnd	

Fig. 14: MAX2/4 pin assignment, X3

Pin-Out	
+V0 / -V0 ... +VD / -VD PT R 100 / PT R 270 +V0 Out ... +V3 Out AGnd	Analoge Eingänge differenziell Referenzwiderstände für PT-100 Messung Analoge Ausgänge Analoges Ground
ENC_5V / Gnd ENC_Sin / ENC_Cos ENC_Ref ENC_A / ENC_B	Speisung für SinCos-, Inkremental-Geber 5VDC Sinus-Cosinus, Nullimpuls von SinCos-Geber bzw. A-, B-, NP von Inkrementalgeber A-, B-, NP von Inkrementalgeber
C_TxD / C_RxD C_DTR / C_DSR Ext_Board SCLA / SDA / EEWC SER_CLK SER_Load SER_OEN SER_DMD SER_DDM	Sende-, Empfangs-Leitung von RS232 Schnittstelle Steuer-Signale von RS232 Schnittstelle Erkennung Anschlussboard I2C Bus für EEPROM Schieberegister-Clock Schieberegister-Load Schieberegister-Enable Daten von MAX2 -> Anschlussboard Daten von Anschlussboard -> MAX2
+15V / -15V / +5V / AGnd	Spannungen für analoge Peripherie

Fig. 15: MAX2/4 pin description, X3

3.3.9 Pin assignment for MAX-2

Pin X1 - MAX2

	a	b	c
1	I +24V	I +24V	I +24V
2	I Gnd	I Gnd	I Gnd
3	I Gnd	I Gnd	I Gnd
4	I Gnd	I Gnd	I Gnd
5	I Gnd	I Gnd	I Gnd
6	I DIN0	I DIN1	I DIN2
7	I DIN3	I DIN4	I DIN5
8	I DIN6	I DIN7	I DIN8
9	I DIN9	I DIN10	I DIN11
10	I DIN12	I DIN13	I DIN14
11	I DIN15	O Gnd	O DOUT0
12	O DOUT1	O Gnd	O DOUT2
13	O DOUT3	O Gnd	O DOUT4
14	O DOUT5	O Gnd	O DOUT6
15	O DOUT7	O Gnd	O DOUT8
16	O DOUT9	O Gnd	O ERDE
17	O DOUT10	O DOUT11	O Gnd
18	O DOUT12	O DOUT13	O Gnd
19	O DOUT14	O DOUT15	I 24VDO2
20	I 24VDO1	I 24VDO1	I 24VDO2
21	O PWM0	O PWM0	O PWM0
22	O PWM1	O PWM1	O PWM1
23	O BRAKE	O BRAKE	O BRAKE
24	O MOT_0U	O MOT_0U	O MOT_0U
25	O MOT_0W	O MOT_0W	O MOT_0W
26	I V_MOT	I V_MOT	I V_MOT
27	O MOT_0V	O MOT_0V	O MOT_0V
28	O MOT_1V	O MOT_1V	O MOT_1V
29	I V_MOT	I V_MOT	I V_MOT
30	O MOT_1U	O MOT_1U	O MOT_1U
31	O MOT_1W	O MOT_1W	O MOT_1W
32	I V_MOT	I V_MOT	I V_MOT

Fig. 16: MAX 2 pin assignment, X3

Pin-Beschreibung	
+24V / Gnd	24V Kartenspeisung, gemeinsames Ground für Kartenspeisung und Endstufen (Motoren)
DIN 0 ... DIN15	Digitale 24V Eingänge
DOUT 0 ... DOUT 15	Digitale 24V Ausgänge, kurzschlussfest
24V DO 1	Speisung für DOUT 0 ... 7
24V DO 2	Speisung für DOUT 7 ... 15
PWM 0 / PWM 1	PWM Ausgänge 0 ... 1
BRAKE	Bremse für Zwischenkreis Begrenzung
MOT_0U / MOT_0W	Vollbrücke 1
MOT_1U / MOT_1W	Vollbrücke 2
MOT_0V / MOT_1V	Vollbrücke 3
V_MOT	Speisung für Endstufen: PWM-Ausgänge und Vollbrücken

Fig. 17: MAX2 pin description, X

3.3.10 Pin assignment for MAX-4

Pin X1 - MAX4

	a	b	c
1	I +24V	I +24V	I +24V
2	I Gnd	I Gnd	I Gnd
3	I Gnd	I Gnd	I Gnd
4	I Gnd	I Gnd	I Gnd
5	I Gnd	I Gnd	I Gnd
6	I DIN 0	I DIN 1	I DIN 2
7	I DIN 3	I DIN 4	I DIN 5
8	I DIN 6	I DIN 7	I DIN 8
9	I DIN 9	I DIN 10	I DIN 11
10	I DIN 12	I DIN 13	I DIN 14
11	I DIN 15	O Gnd	O DOUT 0
12	O DOUT 1	O Gnd	O DOUT 2
13	O DOUT 3	O Gnd	O DOUT 4
14	O DOUT 5	O Gnd	O DOUT 6
15	O DOUT 7	O Gnd	O DOUT 8
16	O DOUT 9	O Gnd	O ERDE
17	O DOUT 10	O DOUT 11	O Gnd
18	O DOUT 12	O DOUT 13	O Gnd
19	O DOUT 14	O DOUT 15	I 24VDO 2
20	I 24VDO 1	I 24VDO 1	I 24VDO 2
21	O PWM 0	O PWM 0	O PWM 0
22	O PWM 1	O PWM 1	O PWM 1
23	O BRAKE	O BRAKE	O BRAKE
24	O MOT_0U	O MOT_0U	O MOT_2U
25	O MOT_0W	O MOT_0W	O MOT_2W
26	I V_MOT	I V_MOT	I V_MOT
27	O MOT_0V	O MOT_0V	O MOT_2V
28	O MOT_1V	O MOT_1V	O MOT_3V
29	I V_MOT	I V_MOT	I V_MOT
30	O MOT_1U	O MOT_1U	O MOT_3U
31	O MOT_1W	O MOT_1W	O MOT_3W
32	I V_MOT	I V_MOT	I V_MOT

Fig. 18: MAX4 pin assignment, X3

Pin-Beschreibung	
+24V / Gnd	24VKartenspeisung, gemeinsames Ground für Kartenspeisung und Endstufen (Motoren)
DIN 0 ... DIN15	Digitale 24V Eingänge
DOUT 0 ... DOUT 15	Digitale 24V Ausgänge, kurzschlussfest
24V DO 1	Speisung für DOUT 0 ... 7
24V DO 2	Speisung für DOUT 7 ... 15
PWM 0 / PWM 1	PWM Ausgänge 0 ... 1
BRAKE	Bremse für Zwischenkreis Begrenzung
MOT_0W / MOT_0U	Vollbrücke 1
MOT_2W / MOT_2U	Vollbrücke 2
MOT_1W / MOT_1U	Vollbrücke 3
MOT_3W / MOT_3U	Vollbrücke 4
MOT_0V / MOT_2V	Vollbrücke 5
MOT_1V / MOT_3V	Vollbrücke 6
V_MOT	Speisung für Endstufen: PWM-Ausgänge und Vollbrücken

Fig. 19: MAX4 pin description, X

3.3.11 Supplies to MAX boards

Supply	Pin	Supply for
+24V_IN	X1: A1, B1, C1	Digital inputs Analogue inputs Logic supply Encoders: Incremental, SinCos
+24V DOut 1	X1: A20, B20	Digital outputs 0 ... 7
+24V DOut 2	X1: C19, C20	Digital outputs 8 ... 15
0V	X1: A2, B2, C2 X1: A3, B3, C3 X1: A4, B4, C4 X1: A5, B5, C5	Ground
+V Mot	X1: A26, B26, C26 X1: A29, B29, C29 X1: A32, B32, C32	Motor supply 24 ... 48V
0V	X1: B11, B12, B13, X1: B14, B15, B16	Ground
Earth	X1: C15	Earth

Important

Motor "0V " and logic "0V" are galvanically connected!

4 Serial interface

RS232 Norm	Connector board AX4-Board		Cable	PC (9-pole pin)
Pin 1	-			nc Pin 1
Pin 2	Pin 1	Tx Output	→	Rx Pin 2
Pin 3	Pin 2	Rx Input	←	Tx Pin 3
Pin 4	Pin 3	DTR Output	↔	DTR Pin 4
Pin 5	Pin 4	DSR Input	↔	DSR Pin 6
Pin 6	Pin 5	Gnd	↔	Gnd Pin 5
Pin 7	Pin 6	nc		nc Pin 7
Pin 8	-			nc Pin 8
				nc Pin 9
				Shield Housing

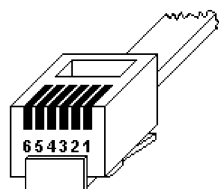


Fig. 20: RJ pin

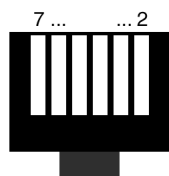


Fig. 21: RJ-12(6P6C)

5 Connection examples

5.1 Motors on MAX2 board

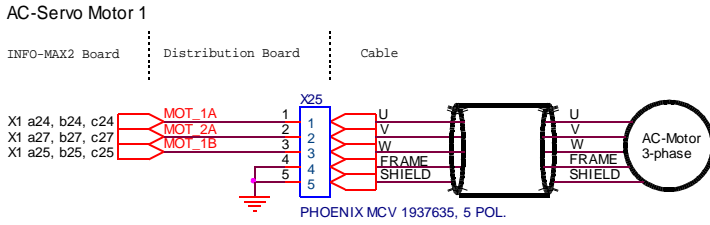


Fig. 22: Connection example for AC servo motor 1

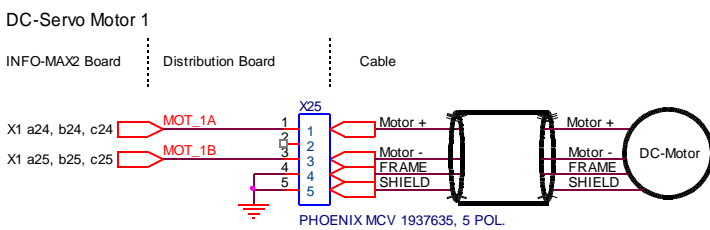


Fig. 23: Connection example for DC motor 1

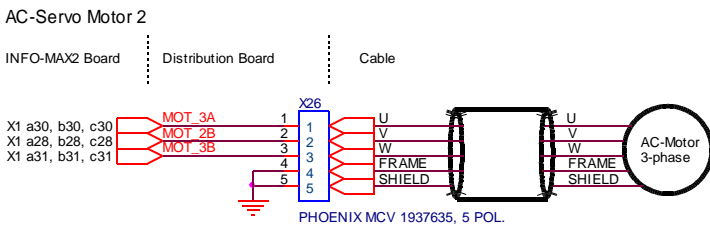


Fig. 24: Connection example for AC servo motor 2

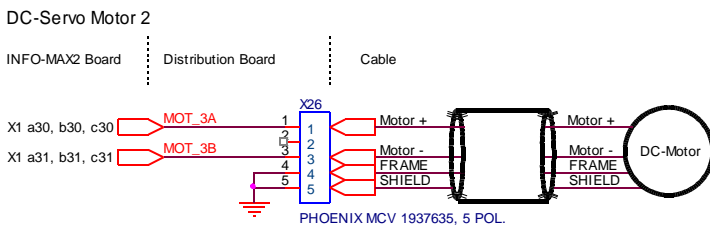


Fig. 25: Connection example for DC motor 2

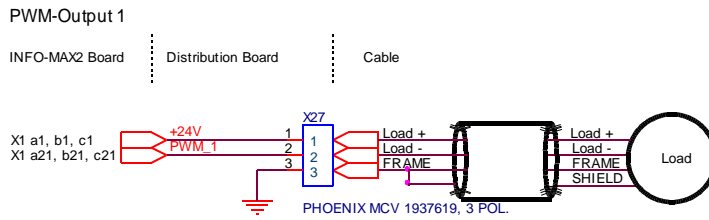


Fig. 26: Connection example for PWM output 1

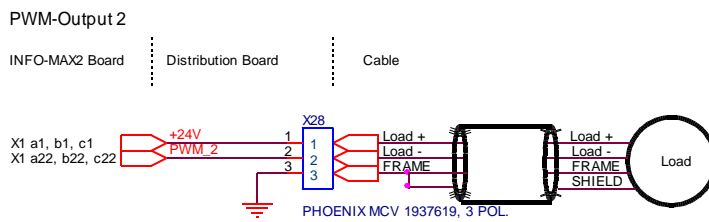


Fig. 27: Connection example for PWM output 2

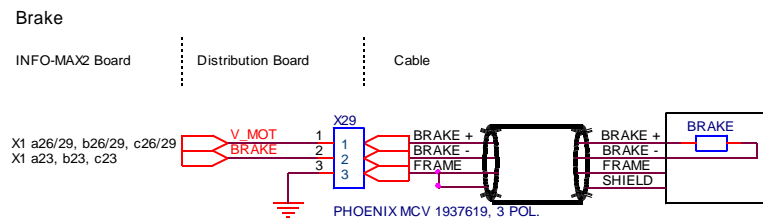


Fig. 28: Connection example for brake

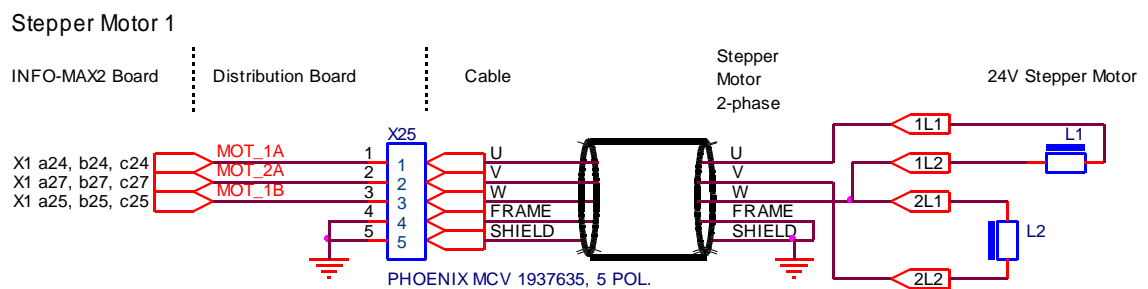


Fig. 29: Connection example for stepper motor 1

2-phase stepper motors with Ucc/2: As there are 3 outputs available per motor, one end of both coils must be connected to a shared output in the case of a 2-phase stepper motor.

This shared connection is raised to 24V by the motor control. The two other ends of the coils are each wired to a free output. This allows a 48V motor to be operated at max. 24V.

5.2 Wiring of digital inputs and outputs

The wiring of the digital inputs and outputs is identical on all MAX boards and AX4 boards:

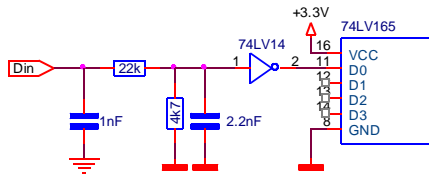


Fig. 30: Wiring of digital inputs

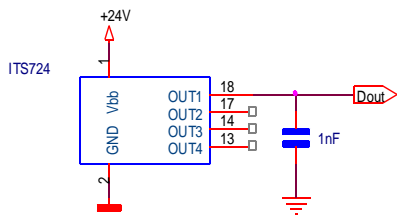


Fig. 31: Wiring of digital outputs

6 Installation

Assembly

Assembly must be carried out according to the documentation and using suitable tools. The devices must only be assembled when switched off. When carrying out wiring work on the drive, the control cabinet must be secured against reactivation. National accident prevention regulations must be complied with. Electrical installation must be carried out in accordance with national provisions (wire colours, cross-sections, fuses, protective earth connection, etc.).

Card supply

A regulated 24V supply with sufficient reserve capacity is recommended for the power supply to the card. The 24V supply must be equipped with a mains filter.

Shielded cables

The resolver and SinCos interface signals are extremely susceptible to interference, meaning that these lines are equipped with a pair-twisted and double shielded cable.

The INC encoder and serial interface, as well as the motor cable, must be shielded cables!

The motor cables must be placed on an uncoated metallic base plate with a bracket with all-round contact in front of the motion board.

Also see "Indel-Verdrahtungsrichtlinie.pdf"

Potential equalisation

Apply all shielding on both sides. You may need to use a potential compensator in order to avoid unwanted leakage currents over the shielding, particularly in the case of larger distances or different supplies. See "Indel wiring guidelines".

Shield rail

The control cabinet must include a shield rail, to which all shielded cables can be attached. Metallic pins with all-round contact with the shielding are also suitable for cable insertion.

The motor boards must be assembled on the assembly plate with good conductivity. All shielded cables must be shielded on both sides.

Plug-in connections

Interruptions in the resolver and motor cables – when leading them into a cabinet or similar – should be designed with metal plug connections, not clamp connections. This ensures that the cable shielding is not interrupted unnecessarily.

Inputs and outputs

The additional digital inputs and outputs can only be wired within the control cabinet. If the cabling is longer than 1m, these inputs and outputs must also be equipped with shielding.

Motor temperature

The motor temperature can be measured using either a bi-metal switch (T-switch) in the motor or an NTC (MTemp). The bi-metal switch can only be wired with the motor cables. The NTC can only be wired in the resolver cables. (Insulation class!)

Cabling

The motor cable must be laid separately from the signal and network cables. Motor cables must not lead over clamps; if necessary, use metallic plug connectors. The shielding must be attached with all-round contact in the pin.

Also see Indel wiring guidelines and INDEL setup guidelines.

Protective earth connection (PE)

The protective earth must be designed in accordance with EN 61800-5-1:

Cross-section of the outer conductor [mm ²]	Minimum cross-section of the corresponding protective earth conductor S _p [mm ²]
$S \leq 16$	S
$16 < S \leq 35$	16
$35 < S$	S/2

Table 6.1

Protective earth conductors that are not part of a cable must have a minimum cross-section of 4mm².

Mains filter

The power supply must be equipped with a filter. The optimum filter and placement may need to be defined by means of an emission measurement as the emitted interference is dependent upon the motor cable length, among other things. Without correctly dimensioned filters, the product may cause very frequent interference.

6.1 Cooling and ventilation

Sufficient measures must be taken to ensure that the temperature in the control cabinet does not exceed the specified maximum. Fans or air conditioning units must therefore be placed in suitable locations inside the control cabinet.

If air conditioning units are being used, it must be ensured that excessively low temperatures do not cause condensation.

Cold air exiting the air conditioning unit must be prevented from blowing directly onto the housing of a servo drive. In unfortunate cases, particularly where humidity is high, this can lead to condensation on the inside of the device.

6.1.1 Notes on UL directive

Motor overload protection

External motor overload protection must be provided by the user.

Additional overload protection is provided for motors by means of temperature sensors in the field winding. The user is responsible for applying this overload protection.

Only use UL-certified copper wires for 75°C.

UL fuses and cable cross-sections

The controller requires a fuse in the supply line. Only use UL-certified fuses and holders. Triggering characteristic "K".

Safety fuse A	Cable cross-section <i>mm</i> ²	AWG
5	1	17
10	1	17
25	6	9
25	6	9

Manufacturers of UL-certified safety fuses:

- FS Ferraz Shawmut
- Limitron KTK from Bussmann

6.1.2 Braking resistance

There is no braking resistor on the MAX2 board. The external braking resistor must be secured against thermal overload.

Supply: 48V

Ballast 0% U_{cc} = 50V
Ballast 100% U_{cc} = 52V

Supply: 24V

Ballast 0% U_{cc} = 25V
Ballast 100% U_{cc} = 27V

For resistance values for the braking resistor see technical details.

7 Operation

7.1 *Braking resistor*

It is highly recommended that a braking resistor be used on all motion boards.
e.g. 150 Ohm 2W for minimum braking energy destruction.

The braking resistance must be dimensioned in accordance with the application.

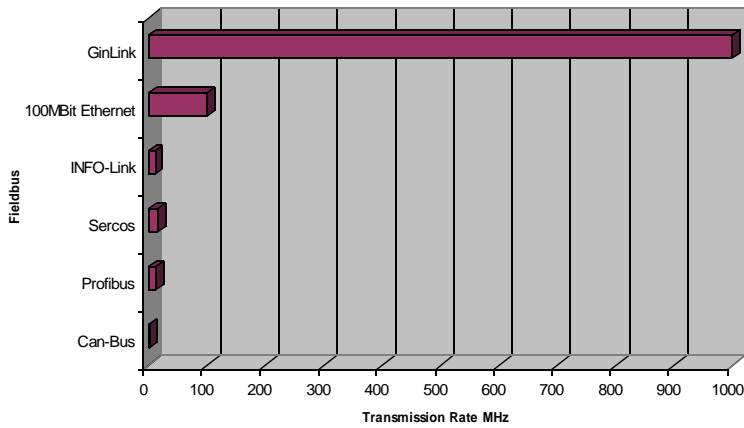
7.2 *Motion boards with an ethernet interface*

The following conditions must be met in order to be able to speak to the MAX-2,4,10 motion boards or the AX4 board via the ethernet interface:

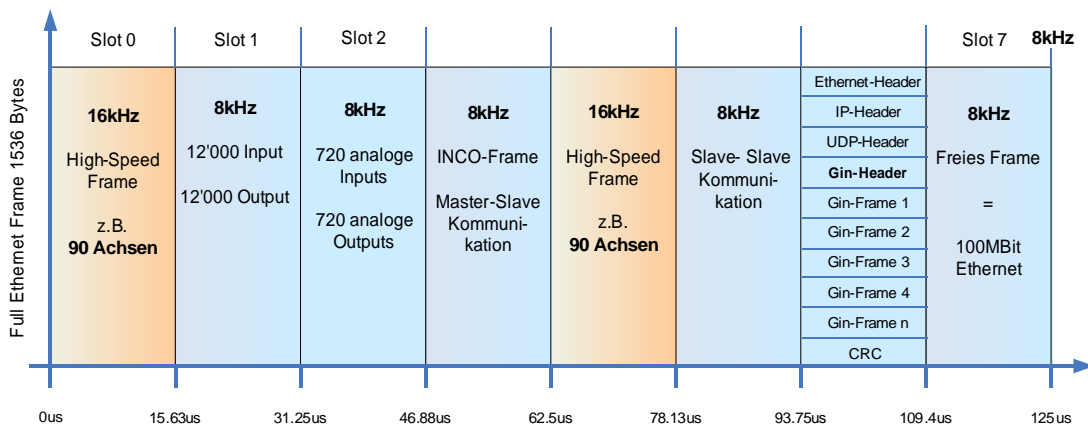
- Ethernet communication must run at 1GHz. In addition, a 1Gbit-enabled switch can also be used in order to use PCs or laptops with a 100MBit interface
- The address switch on the motion board must be set to 0x4
- The GinLink pin Gin-Out is used for the ethernet connection

8 Fieldbus systems

8.1 GinLink



- GHz fieldbus, max. 32kHz cycle time
- Ethernet, up to 100m segment length
- GinLink frames packed into ethernet frames
- Standard ethernet frames: PowerLink, EtherCat cameras
- Deterministic transmission
- Jitter <70ns



	Number	Sampling-Rate	Data
Axes	90	16kHz	4 x 32 Bit
Digital Inputs	12000	8kHz	1 Bit
Digital Outputs	12000	8kHz	1 Bit
Analog Inputs	720	8kHz	16 Bit
Analogue outputs	720	8kHz	16 Bit
Communication			
Slave to Master	1	8kHz	11.5 MByte/s
Slave to Slave	1	8kHz	11.5 MByte/s
Standard Ethernet frames	2	8kHz	23.0 MByte/s

8.2 INFO-Link

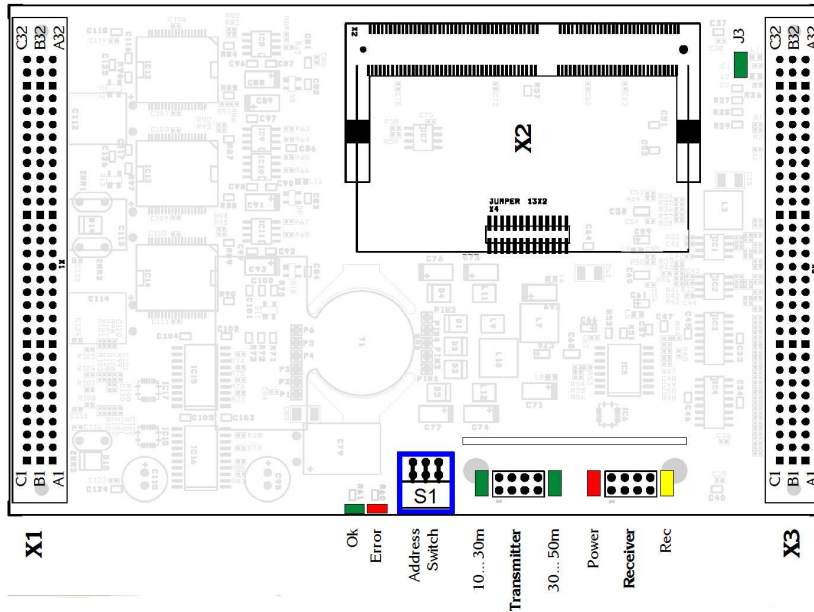


Fig. 32: MAX equipment

Addressing (blue)

S1 Low	0x00	0x01	0x02	0x03	0x04
Axis 0	00	10	20	30	40
Encoder 1	01	11	21	31	41
Axis 2	02	12	22	32	42
Encoder 3	03	13	23	33	43
PWM 0					
PWM 1					
Digital Output	0...15	16..31			
Digital input	0 ... 15	16..31			
Analogue input	0 ... 13	14..25			
Analogue output	0 ... 3	4 ... 7			

LEDs on the receiver module

- Power = +5V supply
- Rec = INFO-link receiver-signal OK

Transmitting power jumper (green)

The jumpers influence the brightness of the transmitting LEDs, and therefore the segment length of the fibre cable to the next card.

Segment length	Jumper position
0 ... 10m	no jumper
8 ... 30m	10 ... 30 m
20 ... 50m	30 ... 50 m

8.3 *Error messages*

Stop, deactivated	0x0000'0001
Ucc below Ucc min	0x0000'0002
Ucc above Ucc max	0x0000'0004
I2t exceeded > 120%	0x0000'0008
Output stage overheated	0x0000'0010
Motor temp exceeded	0x0000'0020
Motor short-circuit / IGBT protection	0x0000'0040
Resolver SinCos error	0x0000'0080
Maximum rotational speed exceeded	0x0000'0100
Safety relay not switched on	0x0000'0200
Auto-commutation error	0x0000'0400
Power end stop reached	0x0000'0800
Phase error	0x0000'1000
PWM watchdog: Interrupt overrun	0x0000'2000
missing External Enable	0x0000'4000
missing (Motor) configuration	0x0000'8000
Feldbus Watchdog	0x0001'0000

8.4 *Warnings*

Ucc below Ucc ok	0x0000'0001
Ucc is set up and OK	0x0000'0002
Warning Iq_max reached	0x0000'0004
Warning output phase hot	0x0000'0010
Warning I2t exceeded	0x0000'0020
Motor temp exceeded	0x0000'0040
100% modulation exceeded	0x0000'0080
Warning unloading time exceeded	0x0000'0100

9 Sales and service

9.1 *Manufacturer*

Indel AG
Tüfiwis 26
CH-8332 Russikon
Switzerland

info@indel.ch
www.indel.ch

Tel. +41 / 44 956 20 00
Fax +41 / 44 956 20 09

9.2 *Maintenance, cleaning, repair*

The Indel servo drives are maintenance-free. Any warranty shall expire if the housing is opened.

Do not submerge or spray the housing. In the event of contamination inside the unit: have it cleaned by the manufacturer.

Repairs can only be carried out by authorised specialist personnel. Any warranty on the part of Indel shall expire in the event of unauthorised intervention.

9.3 *Transport and storage*

When storing, please consider the effect of the ambient conditions: avoid impermissible stresses such as mechanical load, temperature, moisture, aggressive atmospheres.

9.4 *Disposal*

The Indel servo drives are made of various materials:
steel housing, aluminium heat sinks, electronic board

The individual components must be disposed of properly. All Indo servo drives can be returned to Indel AG for proper disposal. The sender shall bear the costs of transport.

9.5 Declaration of conformity

CE

DECLARATION OF CONFORMITY

We, INDEL AG
Tüfwis 26
Postfach
CH-8332 Russikon

hereby declare that the product families listed below:

GinLink, INFO-LINK, IMP-Controlling System, IPS-32/16 and EXT-Fieldbus

to which this declaration relates, are in conformity with the essential requirements of the Directive and the following Standards and other Normative Documents:

Directives

Machine Directive 2006/42/EG
Low Voltage Directive 2006/95/EG
EMC-Directive 2004/108/EG

Authorised Person

Person authorised to compile technical file in accordance with Annex VII A of Directive 2006/42/EC:

Arthur Jericke
Indel AG
Tüfwis 26
CH-8332 Russikon
Switzerland

Safety of Machinery

Safety of Machinery - Electrical equipment of machines	EN 60204-1: 2006
Adjustable speed electrical power drive systems	EN 61800-5-1: 2007
Adjustable speed electrical power drive systems	EN 61800-5-2: 2007

Emission standard for industrial environment

Electromagnetic disturbance characteristics (radiated)	EN 55011 (2007)
Electromagnetic disturbance characteristics (conducted)	EN 55011 (2007)

Immunity for industrial environment

Electrostatic discharge immunity test	EN 61000-4-2 (2001)
Radiated, radio-frequency, electromagnetic field immunity test	EN 61000-4-3 (2001)
Immunity to conducted disturbances, radio frequencies fields	EN 61000-4-6 (2007)
Electrical fast transient/burst immunity test	EN 61000-4-4 (2004)
Surge immunity test	EN 61000-4-5 (2001)
Voltage dips, short interruptions and voltage variations immunity tests	EN 61000-4-11 (2004)

Russikon, 28.06.2010

CEO



Arthur Jericke INDEL AG

Rev 1006 Tel. +41 44/956 20 00
Fax +41 44/956 20 09

1

CH-8332 Russikon
Tüfwis 26



CE

The products below are in conformity with the requirements of the CE-Directives:

GinLink							
610736800	GIN-SAM3	609416602	INFO-PCM	610434904	INFO-SAC2	608404500	SIO-32
610736801	GIN-SAM3	609416700	INFO-PT100	610434905	INFO-SAC2	608404700	MODEM-UTI
610736804	GIN-SAM3	609417200	INFO-FAD	610434906	INFO-SAC2	608503100	FDC-4
610736940	GIN-SAC3x3	609417300	INFO-DEI	610434907	INFO-SAC2	608503200	OUT-P16
610941700	GIN-SAC3x3	609520000	INFO-SSI	610434908	INFO-SAC2	608503600	I/O-BUS
610838600	GIN-MAX10	609520200	INFO-DEX	610434909	INFO-SAC	608504000	F-Video
610636340	GIN-MAX4	609520201	INFO-LEX	610535100	INFO-HCS2r	608605300	I/O MASTER
610636341	GIN-MAX4	609520202	INFO-LEX	610535101	INFO-HCS2r	608605801	DEBUJ
610838844	GIN-SAC3	609520500	INFO-4KPr	610535102	INFO-HCS2r	608706400	FV-Driver
610838844	GIN-SAC3	609520700	EMV-TEST	610535103	INFO-HCS2r	608706500	FV-Receiver
610838844	GIN-SAC3	609520800	INFO-16Pr	610535104	INFO-HCS2r	608706700	LASER-ABT
610838845	GIN-SAC3	609622000	INFO-SIO	610535105	INFO-HCS2r	608706900	ISI-32
610838846	GIN-SAC3	609622100	INFO-I16r	610535200	INFO-SAC2x	608807000	ISO-32
610838848	GIN-SAC3	609622200	INFO-TSP	610535500	INFO-MAX2	608807200	MGPU-10
611041900	GIN-AX42	609622321	INFO-PPC	610535800	INFO-SBB	608807201	MGPU-10
		609622400	INFO-ADAr	610535801	INFO-SBB	600301000	ASK12
		609622401	INFO-ADCr	610536000	IT-MAS2	600302000	ASL14
		609622402	INFO-DACr	610536100	INFO-PC1e	608013100	DAC-8
IMP-Controlling System		609622600	INFO-32lr	610940700	INFO-HVA	608202100	ADC 32D-16
609826800	IMP-6PLR	609622700	INFO-32Or	610636101	INFO-HVA2	608303500	GRAM 64K
609826900	IMP-8PIN	609622800	BT-16r	610636300	INFO-MAX4	608303501	GRAM 64K
609827110	IMP-5VPS	609623000	FCP-PCTA	610636400	MAX4-DBIT	608404200	PT100-16
609928500	IMP-8POT	609623001	FCP-PCTA	610636500	MAX-DBMT	608503900	ADC 16-12
609929200	IMP-IOPC	609623200	INFO-ADA	610736920	INFO-SAC3x3	608605000	Z-15
609929500	IMP-PT100	609724200	INFO-TTL	610736800	INFO-SAM3	608605600	CENTRONICS
609929800	IMP-CNT	609724201	INFO-TTL	610737300	INFO-iADC	608605800	DEBUJ
609929801	IMP-INC	609724330	INFO-SAM	610838301	HEAT-I	608706100	F-ADC 16-12
609929802	IMP-SSI	609724332	INFO-SAM	610838401	HEAT-E2	608706600	2K-SIO
609929900	IMP-FADC	609724500	INFO-MUM	610838700	PPC-Card4	608807400	BT-8/10
609929901	IMP-FADC	609724800	INFO-PT100r	610838800	INFO-SAC3	608807500	DAC-16/20
610031001	IMP-DAC	609725100	ZK-MESS	610838802	INFO-SAC3	608807600	FGV
610031200	IMP-SMI	609725200	INFO-SIOr	610838804	INFO-SAC3	608807800	FCV
610132200	IMP-SMC	609725300	INFO-DIF	610838805	INFO-SAC3	608909200	INP-32NP
610132300	IMP-SSR	609725310	INFO-DIF	610838806	INFO-SAC3	608909300	OUT-32P
610132400	IMP-SIO	609725400	INFO-LCD	610838808	INFO-SAC3	608909400	INT-16P
610132500	IMP-DCM	609725500	ZK-ZUSP	610838822	INFO-SAC3	608909500	4K-POS
610233200	IMP-4RE	609725501	ZK-ZUSP	610838824	INFO-SAC3	608909501	4K-POS
610334000	IMP-SSI-L	609725700	INFO-ZLK	610838825	INFO-SAC3	608909600	OUT-32N
610334200	IMP-4DC	609725800	INFO-MESS	610838826	INFO-SAC3	608909700	BUS-EXP
610334400	IMP-MAS2	609826000	BALZ-ADC	610838828	INFO-SAC3	608909800	FDC-2
610334402	IMP-MAS2	609826100	BALZ-DAC			608909801	JHR
610334500	IMP-I8OUT	609826200	BALZ-16P	Copper Fieldbus		608910000	RACK 19"
610334600	IMP-I8IN	609826700	INFO-FSH	608806800	EXT-16P	608910001	RACK 19"
610334601	IMP-I8IN	609827300	INFO-BVO	608806802	EXT-16PC	608910002	IBUS-27
610434800	IMP-MASp	609827400	INFO-AC1r	609010400	EXT-PT	608910027	IBUS-27
610535300	IMP-TRIAC	609827401	INFO-AC3r	609010600	EXT-ADC	609010100	GCPU-15
610636600	IMP-MAS3	609928800	INFO-CPV	609010700	EXT-4KP	609010101	GCPU-15
610839100	IMP-16PIN	609929000	INFO-HCPr	609112000	EXT-DAC	609010102	GCPU-15
610839000	IMP-16POT	609929300	INFO-16Ps	609112303	PCMAS-32	609010103	GCPU-15
610940610	IMP-GIN-MAS	609929700	INFO-MASi	609213000	Ventil-I/O	609010300	EPA-1MB
610940600	IMP-GIN-MAS	609930200	INFO-HCSx	609314701	KLM-48	609010500	MASTER-32
		609930300	INFO-HCPx			609010501	MASTER-32
INFO-Link		610132000	INFO-MMI	IPS16/32		609112100	D-END
609314700	KLM-48	610132600	INFO-SAM2	607830500	ADC 64-12	609112101	D-END
609314900	ZK-IGEN	610132601	INFO-SAM2	607830501	ADC 64-12	609112200	D-NETZ
609314901	ZK-IGEN	610132603	INFO-SAM2	608101500	INP-32	609112201	D-NETZ
609314902	ZK-IGEN	610132604	INFO-SAM2r	608101501	INP-32	609314200	Fx_CPU-25
609314903	ZK-IGEN	610132606	INFO-SAM2	608101600	OUT-32	609314201	Gx_CPU-15
609314904	ZK-IGEN	610132607	INFO-SAM2	608201500	ADC 32D-12	609314202	Fx_CPU-25
609315000	INFO-DFM	610333700	INFO-PCI2	608201700	INT-16	609314300	Fx_EPR
609315001	INFO-USM	610333701	INFO-PCI2	608202400	CPU 32016	609314400	Fx_DEB
609416000	INFO-16P	610333720	INFO-PCI2	608202401	CPU 32016	609314500	TTL-IO64
609416100	INFO-4KP	610334301	INFO-PVC	608303502	EPROM 64K	609416200	FCV-DRV
609416102	INFO-SPM	610434900	INFO-SAC2	608303800	2K-POS	609417100	INFO-MAS
609416300	INFO-ADC	610434901	INFO-SAC2	608303801	2K-POS	609417101	INFO-MAS
609416400	INFO-DAC	610434902	INFO-SAC2	608350000	RACK 19"	609623000	FCV-PCTA
609416601	INFO-PCM	610434903	INFO-SAC2	608402500	DBUS-27	609623001	FCV-PCTA



Tel. +41 44/956 20 00 **2** CH-8332 Russikon
 Fax +41 44/956 20 09 Tüfwis 26 Rev 1006

10 List of figures

Fig. 1: AX4 side.....	19
Fig. 2: AX4 front.....	19
Fig. 3: Drill plan, AX4.....	19
Fig. 4: Front pins.....	20
Fig. 5: Encoder pins.....	20
Fig. 6: Motor pins.....	20
Fig. 7: Connection example for 24V single-ended incremental encoder.....	25
Fig. 8: Connection example for 5V single-ended incremental encoder.....	25
Fig. 9: MAX housing.....	28
Fig. 10: MAX2-DBIT measurements.....	29
Fig. 11: MAX4-DBIT measurements.....	31
Fig. 12: MAX-DBMT measurements.....	32
Fig. 13: GinLink, ethernet pins.....	34
Fig. 14: MAX2/4 pin assignment, X3.....	35
Fig. 15: MAX2/4 pin description, X3.....	35
Fig. 16: MAX 2 pin assignment, X3.....	36
Fig. 17: MAX2 pin description, X.....	36
Fig. 18: MAX4 pin assignment, X3.....	37
Fig. 19: MAX4 pin description, X.....	37
Fig. 20: RJ pin.....	39
Fig. 21: RJ-12(6P6C).....	39
Fig. 22: Connection example for AC servo motor 1.....	40
Fig. 23: Connection example for DC motor 1.....	40
Fig. 24: Connection example for AC servo motor 2.....	40
Fig. 25: Connection example for DC motor 2.....	40
Fig. 26: Connection example for PWM output 1.....	41
Fig. 27: Connection example for PWM output 2.....	41
Fig. 28: Connection example for brake.....	41
Fig. 29: Connection example for stepper motor 1.....	41
Fig. 30: Wiring of digital inputs.....	42
Fig. 31: Wiring of digital outputs.....	42
Fig. 32: MAX equipment.....	48

11 Document status

Disclaimer

No guarantee is made for the correctness or completeness of the information provided. Subject to technical changes.

File-History

1.15	29.04.2011	Disclaimer AX4: X10 and GinLink pin described; MAX boards: GinLink pin described
1.16	13.05.2011	AX-4: parallel switching of output stages
1.17	17.05.2011	AX-4: Encoder-Stecker für SinCos, Encoder, SSI
1.18	23.05.2011	Missing links to images, address switch Gin-MAX2,4
1.19	07.06.2011	Technical details for connector boards
1.22	30.09.2011	Disclaimer added
1.23	21.11.2011	Correction of +/-5V in Fig. 14: +5V to 32b -5V to 32a Inc correction to absolute feedback inputs: IncA to Clk, IncB to Data
1.24	31.01.2012	AX4 with resolver option removed, pin assignment for AX4 phase U and V corrected
1.25	21.02.2012	Connection example for 5V/24V single-ended inc encoder
1.26	27.04.2012	Correction: in stand-alone operation of MAX4 and AX4, GinLink Out becomes the ethernet interface
1.27	27.04.2012	Document status section added
1.28	21.12.2012	Note on RS422 with 120 Ohm completed. The encoder must be able to deal with this load Ax4 5V supply for encoders from 200mA to 800mA (all encoders together)
1.29	25.06.2013	Expansion of section 3.3.6 Pin assignment for motors in AX4. Connection of stepper motors and 3-phase motors in parallel operation (GIN-Ax4 2x10A)
1.30	26.09.2013	Expansion of section 3.3.6 Pin assignment for motors in AX4 Minimum length for Y cables in parallel operation
1.31	04.11.2013	Chapter 3.1 add tip for additional cooling measures to keep the ambient temperature below 40°C. Increase the minimum distance between servo drives to 50mm